

SUMITOMO

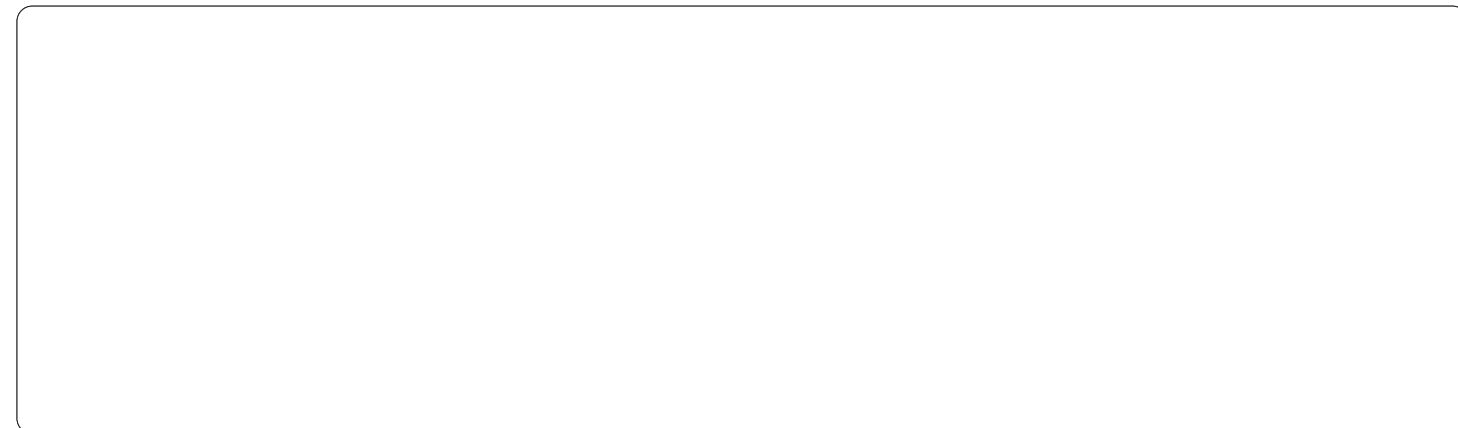
SH 460HD-5 SH 480LHD-5 SH 500LHD-5

■ Engine Rated Power · Net : 270 kW · 367 PS
■ Operating weight :
SH460HD-5 45,900 ~ 46,600 kg
SH480LHD-5 46,700 ~ 47,400 kg
SH500LHD-5 48,100 ~ 48,800 kg
SH480LHD-5 MASS 47,200 ~ 47,900 kg
SH500LHD-5 MASS 48,600 ~ 49,300 kg
■ Bucket Capacity(ISO heaped) : 1.8 ~ 3.0 m ³



**SUMITOMO (S.H.I.) CONSTRUCTION
MACHINERY CO., LTD.**

2-1-1 Osaki, Shinagawa-ku,
Tokyo, 141-6025 Japan
For further information please contact:
Phone : +81-3-6737-2600
Facsimile : +81-3-6866-5112





MADE IN JAPAN

The world knows that Japanese design and manufacturing is the best especially for industrial products. The hydraulic excavator is not the exception when a total integration concept is required in design work involving key components, manufacturing engineering and product quality assurance in the factory.

All SUMITOMO hydraulic excavators are engineered and assembled in SUMITOMO's one and only factory located in Chiba City, Japan, and distributed to each country in the world. This distinctive feature is unique to SUMITOMO, giving the SUMITOMO machine users total comfort and reliance on product quality.

(Note: Some of the items manufactured and sourced in other countries may be assembled in Japan.)

·The new engine complies with the Emission Regulations U.S. EPA Tier III, and EU Stage IIIA.

·The advanced low noise design complies with the upcoming EU noise regulation 2000/14/EC, STAGE II.

Engine and Hydraulics 04 - 06

- SPACE 5
- SIHIS
- New working mode

Durability 07 - 09

- Stronger boom and arm
- Durable bucket
- Ridged swing frame
- Undercarriage

Maintenance 10-11

- High performance hydraulic return filter
- Fuel tank
- Engine oil drain coupler
- Ground level maintenance

Operator Comfort 12 - 13

- Spacious cabin
- Comfortable operator's seat
- Message display from LCD monitor

Safety 14

- Optimised view from cabin
- High -rigidity cabin structure

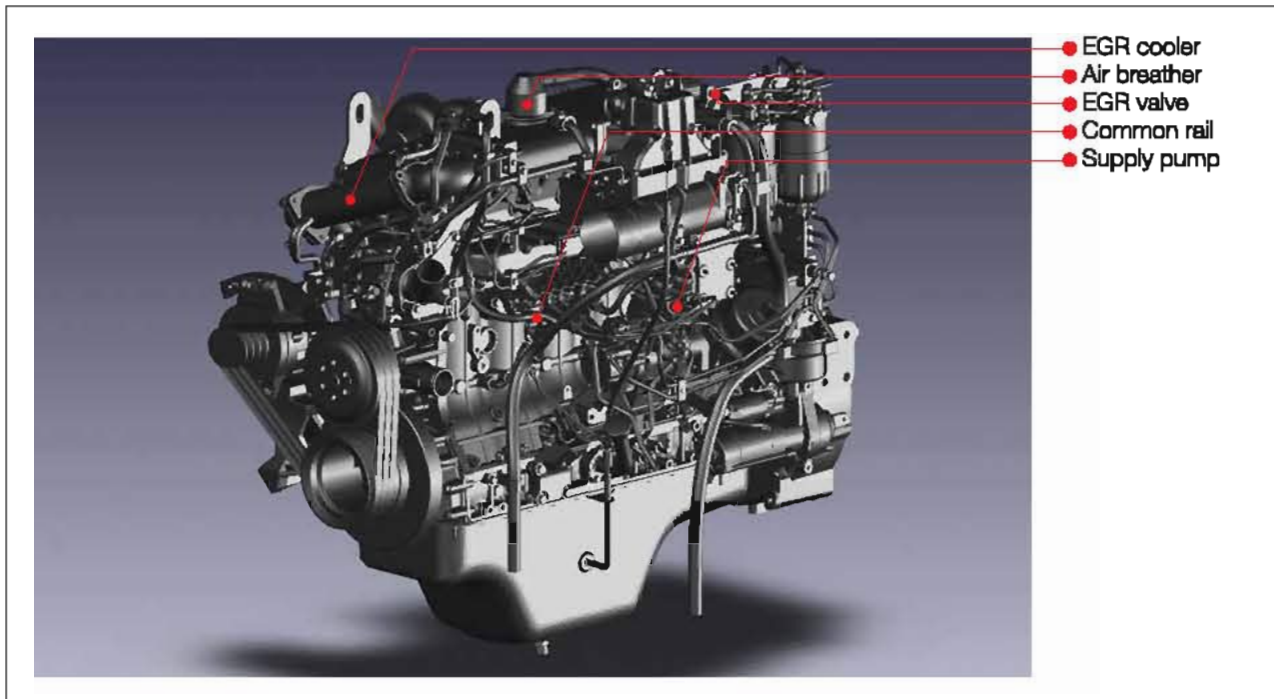
Customer and Product Support 15

Specifications 18 - 27

Engine and Hydraulics



① Powerful ② Economy ③ Clean ④ Silent ⑤ Strong
 "SPACE5" is a new engine system consisting of five (5) special features.

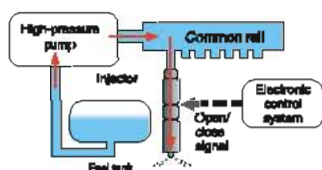


Engine

A newly developed ISUZU engine the 6HK1X complies with Emission Regulations U.S. EPA Tier II and EU Stage IIA. This produces higher output and torque, and far better fuel consumption than the previous model. 5% reduction in fuel consumption using the new engine system "SPACE5" (As compared with existing models)

Common Rail Type High-Pressure Fuel Injection System

The system is equipped with a common rail type high-compression fuel injection system, which permits high-precision injection from multiple injectors under ultra high-pressure of more than 1600 atm. Precise control of injection time and injection quality at the rate of 1/1000 second optimizes combustion, improves combustion efficiency, and reduces PM (particulate matter) substantially.

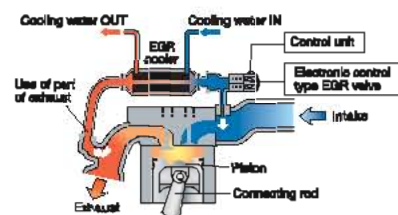


Engine

SH460HD/SH480LHD/SH500LHD-5	
Name of engine	ISUZU AH-8UZ1XYSS
Type	24-valve OHC
Displacement	cc 9,840
Number of cylinders - Dia. x Stroke	mm 6-120 x 145
Rated output	kW/min ⁻¹ 270/1,850
Max. torque	N-m/min ⁻¹ 1,435/1,500
Size (Length-Width-Height)	mm 1235x953x1272 without Fan
Cylinder block	Ladder frame
Fan belt	V-Belt

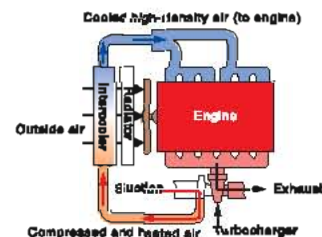
Cooled EGR System

The EGR (Exhaust Gas Recirculation) mixes exhaust gas, which is once exhausted, with the air intake that is taken in so as to lower the combustion temperature, thereby reducing NOx (nitrogen oxide). Adoption of the cooled EGR system, in which a water cooler is installed in the middle of the re-circulation pipe, permitting further decrease in the intake temperature, ensuring a better NOx reduction effect than the ordinary EGR.



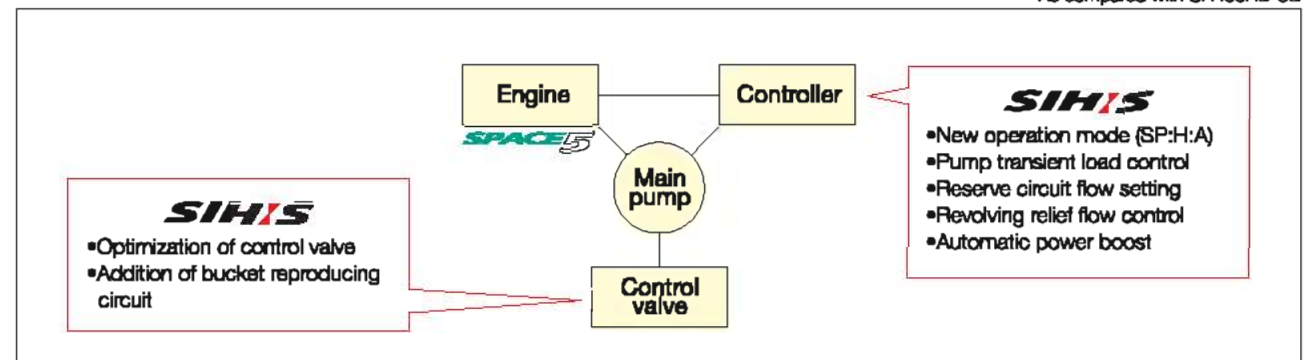
24 valve OHC Turbo Engine with Inter-Cooler

When the inter-cooler cools the intake air, which is compressed by a turbocharger and has reached a high temperature, the density of the air increases and the suction efficiency increases. Therefore, NOx and PM can be reduced substantially, permitting high output and improvement of fuel efficiency simultaneously.



• 18% increase in bucket closing speed

* As compared with SH450HD-3B



SP (Speed Priority mode)

SP "Speed Priority" mode has been developed, which is not available in competitors models nor in our previous model. This will create biggest productivity in its class with more economical fuel efficiency even in comparison with the Heavy mode of our previous model. In addition, the throttle control is simple to use.

Automatic Power Boost

The digging power increases automatically in quick response to the working conditions without switching operations during heavy-duty digging work. It is SUMITOMO'S original design and continues for 8 seconds.

Quick and Smooth Control Response

A total review of the hydraulic circuit and miscellaneous hydraulic settings guarantee speedy and precise operation through a smooth control lever.

The integration of the new engine system "SPACE 5" and new hydraulic system "SIH:S" has created 3% fuel efficiency improvement in comparison with our conventional model.

New engine system **SPACE5** + New hydraulic system **SIHIS** = **3%** reduction in fuel consumption compared to SH450HD-3B (H mode)
*The fuel consumption may vary from time to time depending on site and working conditions, operator skill and other circumstances.

Greater productivity and increased working efficiency

Hydraulic Oil Flow Control

In the case of sudden lever movement and high load activation, the newly developed hydraulic control system reduces the main pump oil flow intentionally and keeps the engine speed at a constant level. This enables a reduction in fuel consumption. In addition, this also reduces the level of exhaust smoke due to excessive fuel injection.

Reduction of Hydraulic Oil Flow at Swing

The hydraulic oil quantity required at the time of sudden swing motion is limited. The new hydraulic system can start the oil flow volume at the minimum level and then allow it to increase on demand. This optimum oil flow control significantly improves the fuel efficiency.

Increased Pump Efficiency

The new modified hydraulic pump structure lowers the oil leak volume in the pump which means improved pump efficiency and improved engine fuel efficiency.

Mode Selection by Throttle

Mode selection by pressing the button in our previous model sometimes cause inconveniences for the operator. The throttle control system has been upgraded and the new system "A" mode which stands for "Adjustment Mode" now covers the 3 previous modes of "Auto, Standard and Light". In addition there is "H" (Heavy) mode and "SP" (Speed Priority) mode, and the hydrostatic pump oil flow will be regulated automatically in each of the 3 modes respectively.

The SP mode is added to the operation mode. Furthermore, the A (Adjustment) mode is added to the SP and H modes, respectively. In comparison with the H mode of Dash 3, the H mode of Dash 5 has reduced the fuel consumption by 5% as compared with Dash 3.



Throttle knob position	1	2	3	4-15
Engine speed	2,000	1,800	1,750	1,749-800
Operation mode	SP	H		A
Automatic power boost		Automatic		Constant

H	HEAVY (Speed priority)	Reduction in fuel consumption by 3%	SP	SPEED PRIORITY
A	AUTO (Speed and fuel efficiency)		H	HEAVY (Speed and fuel efficiency)
S	STANDARD (Fuel priority)	Same level in fuel consumption	A	ADJUSTMENT (Ordinary operation/ Fine and lifting operation)
L	LIGHT/LIFT (Fine and lifting operation)		(13 steps)	

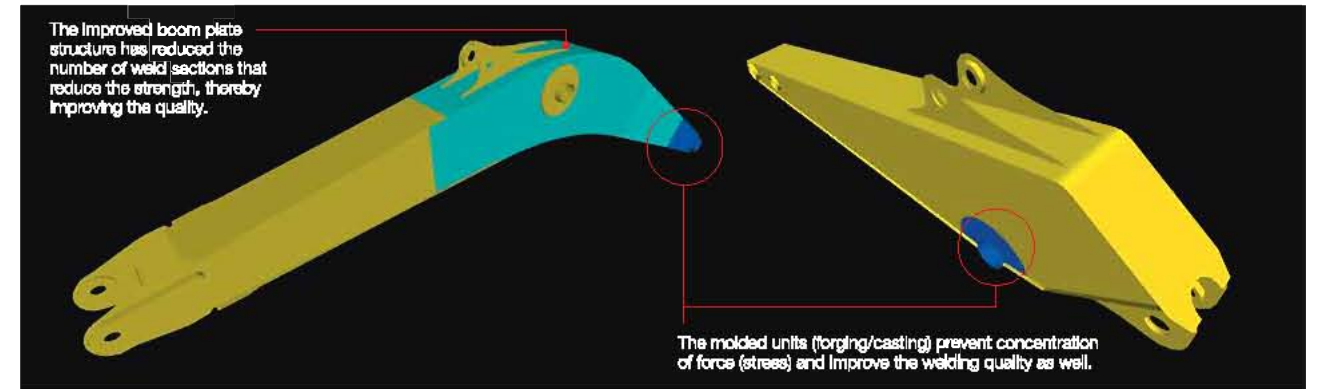
SH450HD-3B

SH460HD-5

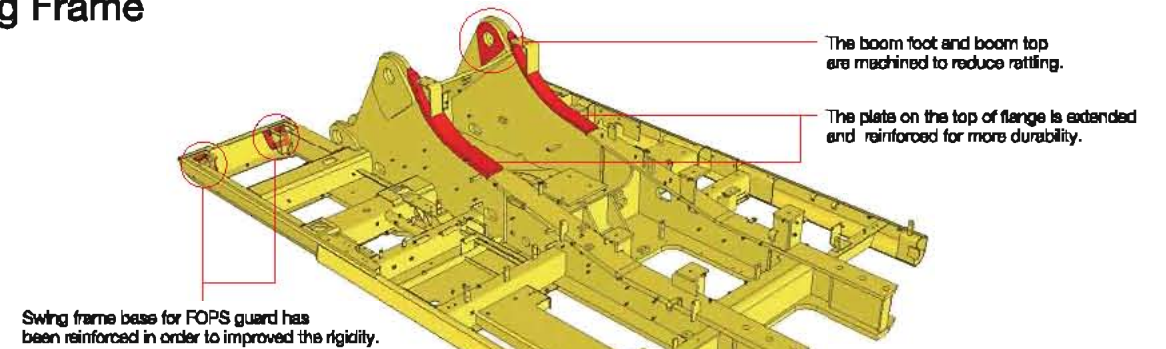


Boom & Arm

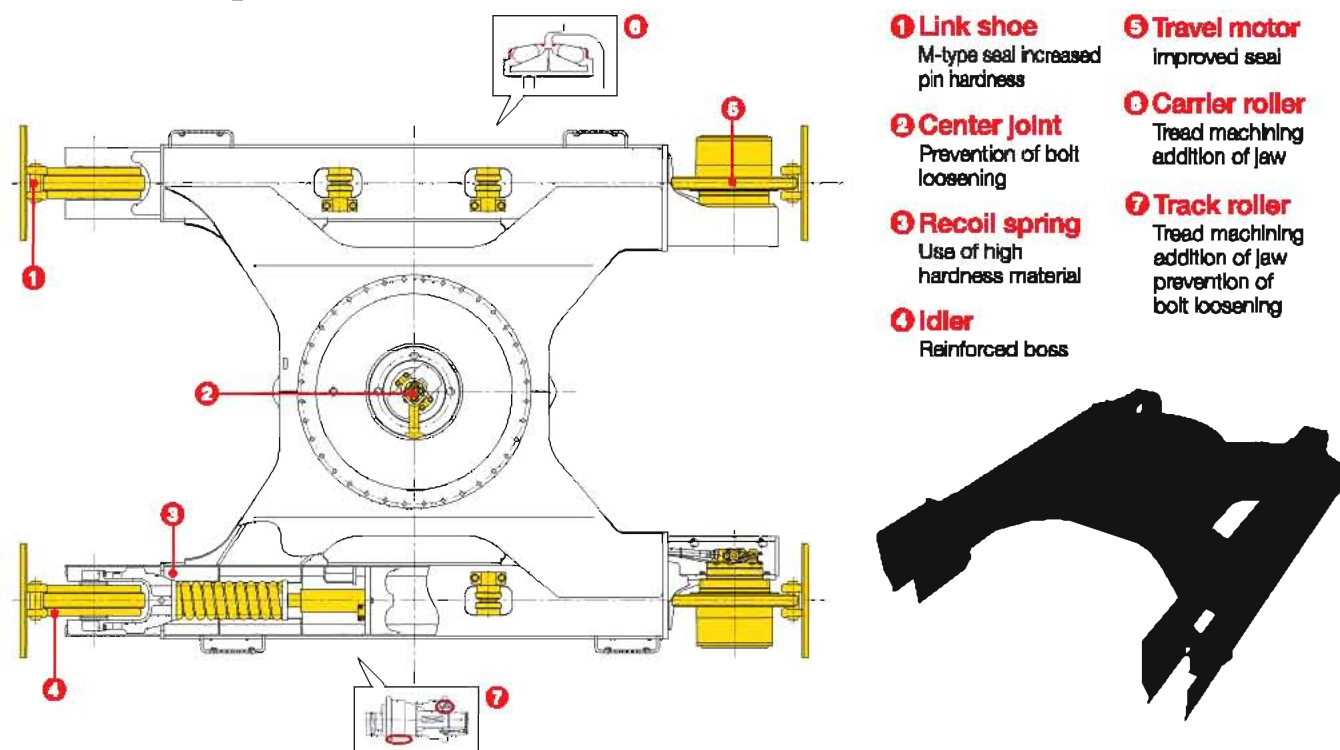
1. The boom structure is 2 pieces.
2. High strength castings are used for the boom base and arm foot.
3. Thicker steel plate is used for added strength.



Swing Frame



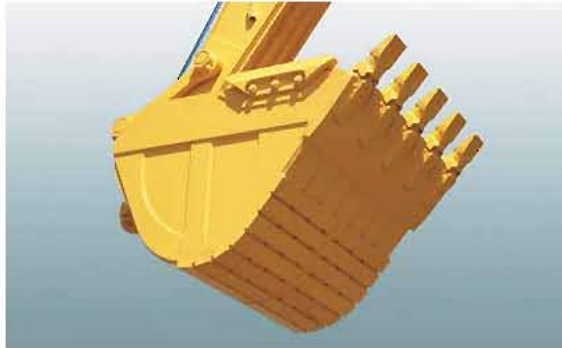
Undercarriage



Durability

Heavy duty applications for SH460HD-5, SH480LHD-5, and SH500LHD-5

High-durability buckets



The adaption of a high wear resistant 'super v' has increased durability.

Plating (Reinforcing)



Cab-top light/Front mesh guard/
Head guard(FOPS level 2)

* Option



Reinforced undercover



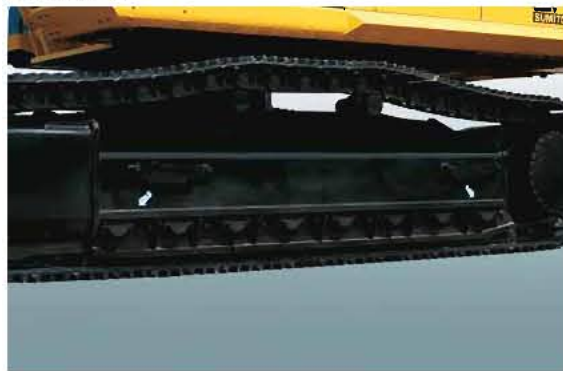
Side guard

* Option



Full track guard

* Option



MASS version
SH480LHD-5 MASS / SH500LHD-5 MASS

Bore of bucket cylinder
ø170-ø115mm
(STD : ø165-ø115mm)

Arm
2.53m HD arm
(STD : 3.38m HD arm)

Arm linkage
775mm
(STD : 730mm)

Bucket cylinder
top pin diameter
ø120mm
(STD : ø110mm)

Boom
6.55m HD boom
(STD : 6.88m HD boom)

Bucket linkage
Increased plate thickness

Bucket size
3.0m³ HD
(STD : 1.8m³ HD)

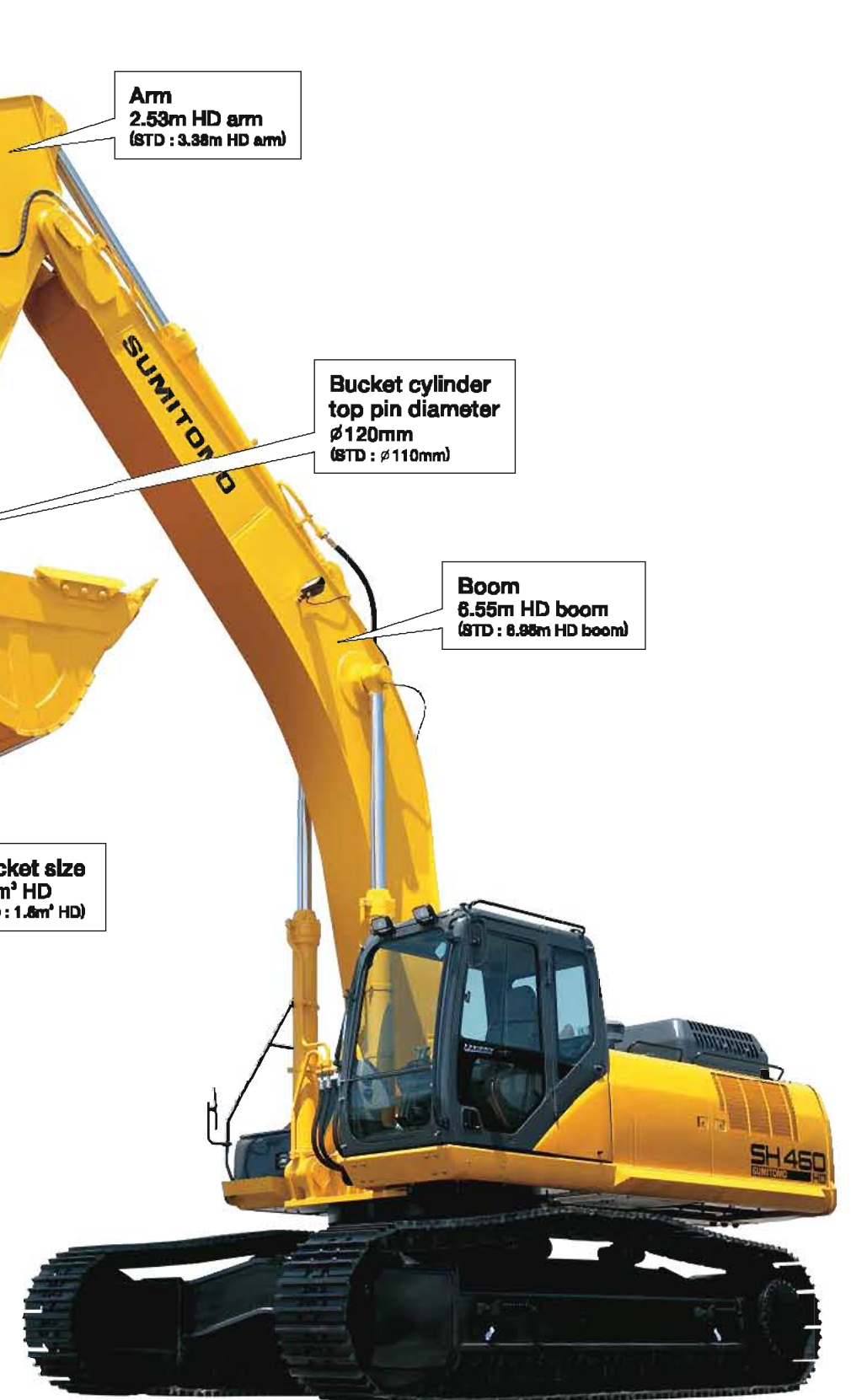


Photo : SH460HD-5 (STD version)

Maintenance

High-Performance Return Filter

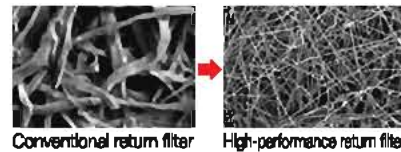
The hydraulic oil change interval is 5,000 hours, and the return filter change interval is 2,000 hours. One high performance return filter keeps the same level of filtering effect as a nephron.

- Hydraulic oil change : **5,000 hours**
- Life of filter : **2,000 hours**

* The oil and filter change interval depends on the working conditions.



The High-Performance Return Filter is made more precisely to condense the Nephron filter function.



Fuel Tank

Stainless steel is used for the strainer that prevents dust entering during refueling. Furthermore, a maintenance hole is provided to permit easy periodical maintenance.



Engine Oil Drain Coupler

The engine oil pan is provided with a drain coupler. This makes easier to do drain work and preventing oil from spattering with an attached drain hose.



EMS (Easy Maintenance System) as Standard

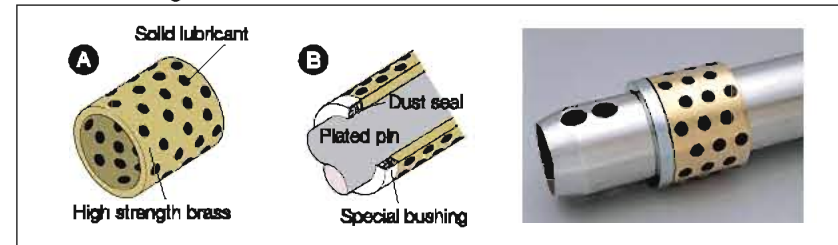
SUMITOMO's new improved EMS keeps the pins and bushes fully lubricated at all times and prevents rattling. This system significantly extends the service life of the pins and bushes.

The interval of greasing around the bucket is 250 hours, keeping the joints lubricated for a long time and extending the service life of parts by reducing abrasion and rattling.

- Greasing interval for other sections : **1,000 hours**

* The greasing interval depends on the working conditions.

EMS bushing



ⓐ A solid lubricant embedded in high strength brass forms a layer on the bushing surface to prevent contact between metals, maintaining an excellent lubricated state to reduce abrasion of joints.

ⓑ The surface of the pin is plated to increase the surface hardness and improve the wear resistance accordingly.

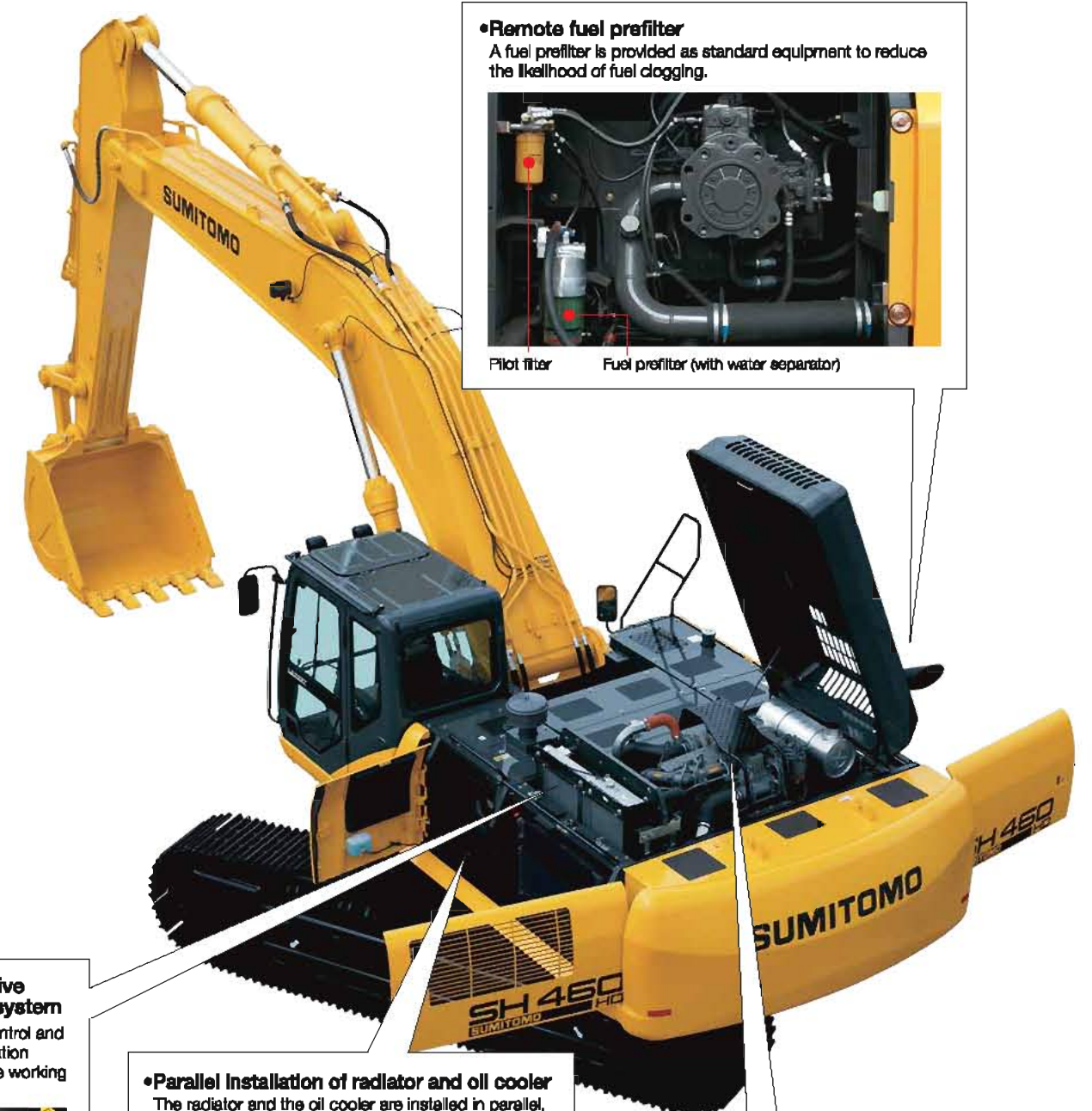


Precautionary use of EMS

- ① Grease is enclosed, however, greasing is necessary every 1,000 hours or six months depending on the level of dusting conditions.
- ② Greasing is also necessary after any components have been submerged underwater for prolonged periods.
- ③ Greasing is also recommended after use with hydraulic breakers, crushers or other high impact attachments such as Rock Saws etc.
- ④ Bucket pins should be cleaned thoroughly when removing or attaching new buckets.

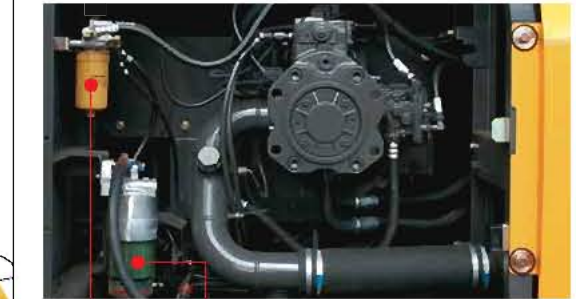
Ground level access for easy cleaning and replacement

Parts cleaning and maintenance are possible from the ground without climbing onto the upper structure of the excavator body.



Remote fuel prefilter

A fuel prefilter is provided as standard equipment to reduce the likelihood of fuel clogging.



Pilot filter Fuel prefilter (with water separator)

Hydraulic drive cooling fan system

Ideal cooling control and low-noise operation according to the working environment.

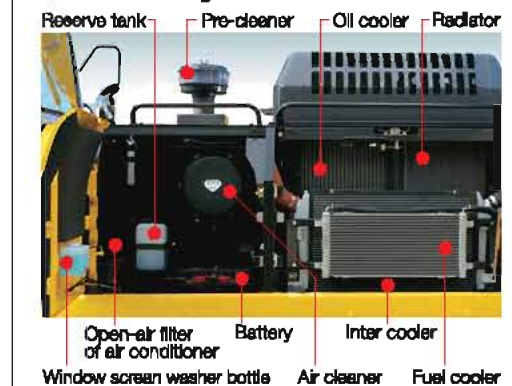


Easier cleaning by reversed fan rotation

The switch in the cab allows the cooling fan to rotate in reverse to remove dust from the radiator, oil cooler, inter cooler, and fuel cooler to prevent clogging.

Parallel installation of radiator and oil cooler

The radiator and the oil cooler are installed in parallel, and a space is provided at the front of the inter cooler to facilitate cleaning.



Engine maintenance steps

The engine room designed to permit safe maintenance.



Operator Comfort

SUMITOMO's Redesigned Cabin and Seat for Optimum Operator Comfort

The seat reclining system allows the operator to lay the seat flat and to rest on site without removing the headrest.



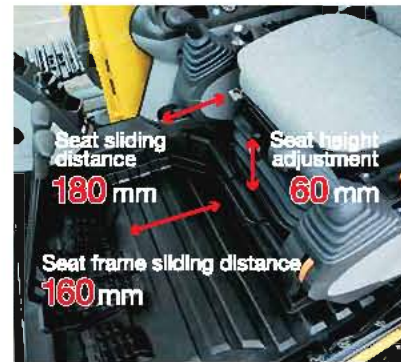
The KAB Seat Eliminates Vibration



Air suspension (Option)

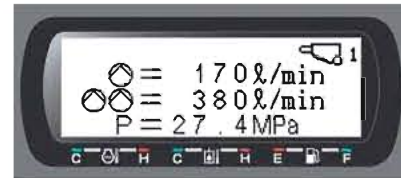
Operating Positions of Sliding Seat and Tilting Console

In addition to the tilting console that is adjustable in four steps vertically, the increased sliding distance ensures optimum working conditions.



Flow Setting In 10 Patterns and Switching of Combined Circuit

The switch panel in the cab permits setting the flow rate for work with a maximum of ten different special attachments in advance. A circuit change for the breaker and crusher is also possible in the cab.



Adoption of Short Lever



Simple to Read LCD Monitor and Switch Panel

In addition to the monitor that is easy to read during daytime as well as nighttime by changing the backlight to white, a simple and convenient universally designed switch panel is provided.



Warning message

1. OVER HEAT
2. ALTERNATOR
3. LOW FUEL
4. LOW OIL PRESSURE
5. LOW COOLANT
6. ELEC.PROBLEM
7. OVER LOAD (option)
8. AIR FILTER
9. CHECK ENGINE
10. BOOST TEMP. HIGH
11. CHECK BREAKER FILTER (option)

Active condition message

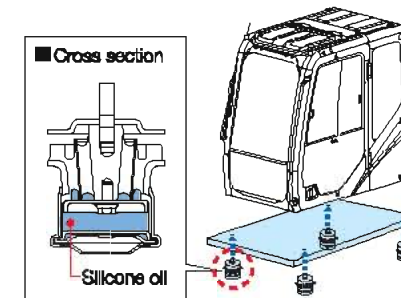
1. ENG.PRE HEAT
2. AUTO WARM UP
3. ENG.IDLING
4. POWER UP
5. ENGINE STOP

Language menu

Japanese	Danish
English	Norwegian
Thai	Swedish
Chinese	Finnish
German	Turkish
French	Arabic
Italian	Malay
Spanish	Indonesian
Portuguese	(Pictograph)
Dutch	

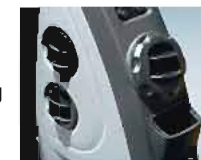
Fluid Filled Cab Mounts

Four fluid cab mounts reduce vibration and impact transmitted to the cabin, and improve the operators' sitting quality and reduce operator fatigue.



Automatic Air Conditioner with Round Outlets for Increased Comfort

The air outlets of the air conditioner are provided with round grills with wide adjusting angles. The efficiency of the air conditioner has been increased by pressurizing the cab to make it airtight, providing a comfortable space.



ISO-compliant Pressurized Cab to Prevent Dust Entry

The sealed and pressurized (sealing by pressure) cab prevents entry of dust from outside.

Convenient One-touch Muting of AM/FM Radio

An AM/FM radio is provided as standard equipment. The mute switch on the left lever permits one-touch muting of the radio.



The wide view increases the safety of work

In addition to the wide front view, the down-right view is also made larger to enhance the safety of work.



Upward view

The shape of the opening has been improved and the width of the upper pillar has been narrowed to ensure comfortable upward view.



Safety Equipment in case of an Emergency



Emergency stop switch

New Gate Lock Lever and Console Tilt-up Function

The console tilt-up function permits easy entry and exit.



Safe and Easy Entry Into and Exit from the Cab

A large handrail for easy opening/closing of the door and a non-slip plate are installed to permit the operator to get in and out of the cab easily.



Large handrail



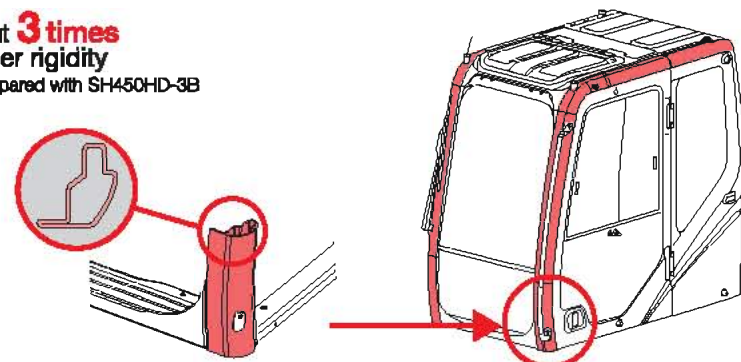
New non-slip plate

High-rigidity Cabin

The new cabin structure provides advanced operator protection.

• About **3 times** greater rigidity

* As compared with SH450HD-3B



Easy Access to the Upper Structure

A large step and handrail, as well as a non-slip plate, minimize the effort when climbing on and off the upper structure.



Front-right large step



Non-slip plate



ISO-compliant large handrail

Anti-theft Alarm System

SUMITOMO's unique anti-theft system can be activated by your SUMITOMO distributors at the time of purchase.



Anti-theft alarm system

SUMITOMO's total commitment to product and customer support has enabled it grow into a world renowned manufacturer of hydraulic excavators. Supported by a global sales and service network of over four hundred distributors representing hydraulic excavators manufactured by SUMITOMO, the company supply 70% of total production from Japan to all five continents.

A spread of over one thousand outlets offering excellent parts and service support has global coverage ensuring SUMITOMO hydraulic excavator users have at their disposal Regional Spare Parts Centers, technical repair shops and service vehicles carrying all the necessary equipment to service and repair any hydraulic excavator manufactured by SUMITOMO.

SUMITOMO aims to produce the right products to meet all work applications and at the same time provide the highest level of more training and education to ensure complete product support quality throughout the service network in the world.



Specifications

SH460HD/SH480LHD/500LHD-5 Technical Data Engine

SH460HD/SH480LHD/SH500LHD-5	
Model	ISUZU AH-6UZ1XYSS
Type	Water-cooled, 4-cycle, diesel, 6-cylinder in line, direct injection (electric control), turbocharger with air cooled intercooler.
Rated output	270 kW(367 PS)/1 950 min ⁻¹
Maximum torque	1 435 N·m at 1 500min ⁻¹
Piston displacement	9 839 cc
Bore and stroke	120 mm x 145 mm
Starting system	24 V electric motor starting
Alternator	24 V , 50 A
Fuel tank	650 liters
Air filter	Double element

SIH:S

Two variable displacement axial piston pumps, one gear pump for pilot controls and the electronic-controlled engine of SPACE5 and SIH:S (SUMITOMO Interigent Hydraulic System) includes: three working mode (SP,H,A) one-touch/automatic idling system and automatic power-boost.

Hydraulic pumps

Two variable displacement axial piston pumps supply power for attachment, swing and travel.

SH460HD/SH480LHD/SH500LHD-5	
Maximum oil flow	2 X 360 liters/min
Pilot pump max.oil flow	30 liters/min

Hydraulic motors

For travel: Two variable displacement axial piston motors
For swing: One fixed displacement axial piston motor

Working circuit pressure

Boom/arm/bucket 24.5 MPa(250 kgf/cm²)<Holding pressure(Boom down)>
36.3 MPa(370 kgf/cm²)<Holding pressure(Others)>
Boom/arm/bucket 31.4 MPa (320 kgf/cm²)
Boom/arm/bucket 34.3 MPa(350 kgf/cm²)with Power-up<Working pressure>
Swing circuit 29.4 MPa(300 kgf/cm²)
Travel circuit 34.3 MPa(350 kgf/cm²)

Control valve

With boom/arm holding valve
One 4-spool valve for right track travel, bucket, boom and arm acceleration
One 5-spool valve for left track travel, auxiliary, swing, boom acceleration and arm

Oil filtration

Suction filter 105 micron
Return filter 6 micron
Pilot filter line 8 micron

Hydraulic cylinders

SH460HD/SH480LHD/SH500LHD-5		
Boom	2	170 mm x 115 mm x 1 550 mm
Arm	1	200 mm x 140 mm x 1 820 mm
Bucket	1	165 mm x 115 mm x 1 285 mm

Double-acting, bolt-up-type cylinder tube-end; hardened steel bushings are installed in the cylinder tube and rods ends.

Cab & Controls

The cab is mounted on 4 fluid mountings. Features include safety glass front, rear and side windows, reclining/sliding cloth upholstered suspension seat with headrest and armrest, cigarette lighter, pop-up skylight window, and intermittent wiper with washer. The front window slides upward for storage, and the lower front window is removable. Control levers are located in 4 positions with tilting control consoles. Reliable soft-touch switches are a standard feature. An easy-to-read full-dot LCD monitor keeps operation in touch with critical machine functions.

Swing

Planetary reduction is powered by an axial piston motor. The internal ring gear with has a grease cavity for pinion. The swing bearing is a single-row shear type ball bearing. Dual stage relief valves are used for smooth swing deceleration and stops. A mechanical disc swing brake is included.

SH460HD/SH480LHD/SH500LHD-5	
Swing speed	0~9.0 rpm
Tail swing radius	3 680 mm
Swing torque	150 KN·m(15 300 kgf·m)

Undercarriage

An X-style carbody is integrally welded for strength and durability. The grease cylinder track adjusters have shock absorbing springs. The undercarriage has lubricated rollers and idlers.

Type of shoe: sealed link shoe

Upper rollers -

Heat treated, mounted on steel bushings with leaded bronze casting, sealed for lifetime lubrication.

Lower rollers -

Heat treated, mounted on steel bushings with leaded bronze casting, sealed for lifetime lubrication.

Track adjustment -

Idler axles adjusted with grease cylinder integral with each side frame; adjustment yoke mechanism fitted with heavy duty recoil spring.

Number of rollers and shoes on each side

SH460HD-5	
Upper rollers	2
Lower rollers	8
Track shoes	47

SH480LHD-5 (SH500LHD-5)	
Upper rollers	2(3)
Lower rollers	9
Track shoes	50

Travel System

Two-speed independent hydrostatic system with compact axial motors for increased performance. Hydraulic motor powered output shaft coupled to a planetary reduction unit and track sprocket. All hydraulic components mounted within the width of side frame. Travel speed can be selected by switch panel. Hydraulically released disc parking brake is built each motor.

SH460HD/SH480LHD/SH500LHD-5		
Travel speed	High	5.3 km/h
	Low	3.1 km/h
Drawbar Pull	341 kN (34 800 kgf)	

Lubricant & Coolant capacity

SH460HD/SH480LHD/SH500LHD-5	
Hydraulic system	460 liters
Hydraulic oil tank	230 liters
Fuel tank	650 liters
Cooling system	38 liters
Final drive case(per side)	15 liters
Swing drive case	10.5 liters
Engine crank case (with remote oil filter)	36 liters

Auxiliary hydraulic system

SH460HD/SH480LHD/SH500LHD-5		
Auxiliary piping type (option)	For Braeker	For Double (breaker & crusher) acting
Arm type	STD	HD with Reinforcement plate
Bucket linkage type	HD	HD
Auxiliary hydraulic pump flow	max.320 liter/min	max.700 liter/min

Bucket

Model		SH460HD/SH480LHD/SH500LHD-5	SH480LHD/SH500LHD-5 MASS		
Bucket capacity (ISO/SAE/PCSA heaped)	unit:mm	1.8 HD	2.0 HD	3.0HD	
Bucket capacity CECE heaped	unit:mm	1.6 m ³	1.8 m ³	2.7m ³	
Bucket type		HD	HD	HD	
No. of tooth		5	5	6	
Width	unit:mm	With side cutter	1 508	1 638	1885
		Without side cutter	1 400	1 530	1885
Weight	unit kg		1 830	1 930	2830
		2.53 m arm	○	●	●
	3.38 m arm	●	○	—	

○ Suitable for materials with density up to 2 000 kg/m³ or less

○ Suitable for materials with density up to 1 600 kg/m³ or less

● Standard bucket (Suitable for materials with density up to 1 800 kg/m³ or less)

△ Suitable for materials with density up to 1 200 kg/m³ or less

Weight & Ground Pressure

Model		SH460HD-5	
Shoe type	Shoe width	Operating weight	Ground pressure
Triple grouser shoe	600 mm	45 900 kg	85 kPa
	750 mm	46 600 kg	69 kPa

Model		SH480LHD-5	
Shoe type	Shoe width	Operating weight	Ground pressure
Triple grouser shoe	600 mm	46 700 kg	80 kPa
	750 mm	47 400 kg	65 kPa

Model		SH500LHD-5	
Shoe type	Shoe width	Operating weight	Ground pressure
Triple grouser shoe	600 mm	48 100 kg	82 kPa
	750 mm	48 800 kg	67 kPa

Model		SH480LHD-5 MASS	
Shoe type	Shoe width	Operating weight	Ground pressure
Triple grouser shoe	600 mm	47 200 kg	81 kPa
	750 mm	47 900 kg	66 kPa

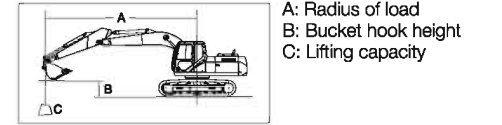
Model		SH500LHD-5 MASS	
Shoe type	Shoe width	Operating weight	Ground pressure
Triple grouser shoe	600 mm	48 600 kg	83 kPa
	750 mm	49 300 kg	68 kPa

Digging Force

Model		SH460HD/SH480LHD/SH500LHD-5	
Arm length		2.53 m	3.38m
Bucket digging force <with auto power up>	ISO 6015	247kN <270kN >	
	SAE: PCSA	220kN <240kN >	
Arm digging force <with auto power up>	ISO	257kN <281kN >	209kN <229kN >
	SAE: PCSA	248kN <272kN >	203kN <222kN >

Lifting Capacity

- Notes: 1. Ratings are based on SAE J/ISO 10567
 2. Lifting capacity does not exceed 75% of tipping load with the machine on firm, level ground or 87% full hydraulic capacity.
 3. The load point is a hook (not standard equipment) located on the back of the bucket.
 4. *Indicates load limited by hydraulic capacity.
 5. 0m = Ground.



Load Radius Over Front Load Radius Over Side Unit : kg

SH460HD-5 SHOES : 600 (mm)G ARM LENGTH = 3.38 (m) BOOM : 6.98 (m)
 BUCKET : SAE/PCSA 1.8 (m³) MAXIMUM REACH = 10.28 (m)

Bucket Hook Height	Max. Radius		Radius of Load										Min. Radius					
	Front	Side	10 m	9 m	8 m	7 m	6 m	5 m	4 m	3 m	2 m	Front	Side					
7 m	8 365*	8.76	6 747	8.76										9 200*	7.6	8 953	7.6	
6 m	6 411*	9.58	5 489	9.58										9 934*	7.11	9 822	7.11	
5 m	6 531*	9.91	4 998	9.91										11 851*	6.12	11 851*	6.12	
4 m	6 744*	10.14	4 653	10.14	7 546	4 791	9 149	5 913	10 417*	7 340	11 618*	9 246	13 346*	11 940	16 006*	16 006*	20 598*	20 598*
3 m	7 059*	10.26	4 424	10.26	7 405	4 659	8 919	5 699	10 902	7 022	12 490*	8 778	14 656*	11 228	18 062*	14 894	24 108*	20 975
2 m	6 923	10.28	4 294	10.28	7 264	4 527	8 698	5 493	10 576	6 723	13 151	8 348	15 790*	10 599	19 694*	13 947	17 773*	17 773*
1 m	6 909	10.2	4 257	10.2	7 142	4 413	8 504	5 313	10 295	6 486	12 755	7 991	16 361	10 110	20 880*	13 299	16 807*	16 807*
0 m	7 034	10.02	4 317	10.02	7 055	4 332	8 354	5 174	10 079	6 288	12 461	7 726	15 961	9 775	21 019*	12 923	18 913*	18 569
-1 m	7 319	9.73	4 489	9.73			8 262	5 089	9 937	6 138	12 274	7 557	15 761	9 582	20 801*	12 747	22 501*	18 518
-2 m	7 813	9.33	4 804	9.33			8 241	5 070	9 878	6 084	12 192	7 483	15 679	9 510	20 093*	12 719	24 679*	18 605
-3 m	8 610	8.79	5 320	8.79					9 911	6 114	12 214	7 503	15 721	9 547	18 892*	12 812	22 889*	18 810
-4 m	9 726*	8.09	6 160	8.09					9 927*	6 257	12 069*	7 627	14 381*	9 692	17 119*	13 019	20 486*	19 139
-5 m	9 513*	7.18	7 609	7.18							9 950*	7 694	12 216*	9 967	14 584*	13 360	17 266*	17 266*
-6 m	8 745*	5.97	8 745*	5.97											10 854*	10 854*	12 824*	12 824*

SH460HD-5 SHOES : 750 (mm)G ARM LENGTH = 2.53 (m) BOOM : 6.98 (m)
 BUCKET : SAE/PCSA 2.0 (m³) MAXIMUM REACH = 9.48 (m)

Bucket Hook Height	Max. Radius		Radius of Load										Min. Radius						
	Front	Side	10 m	9 m	8 m	7 m	6 m	5 m	4 m	3 m	2 m	Front	Side						
7 m	10 215*	7.89	8 165	7.89										10 701*	10 242			10 921*	6.69
6 m	9 738*	8.71	6 606	8.71										10 383*	7 804	11 189	9 946	12 355*	6
5 m	9 204	9.08	5 961	9.08										9 350	6 064	10 768*	7 572	11 884*	9 557
4 m	8 627	9.32	5 525	9.32										9 182	5 908	11 238	7 297	12 627*	9 123
3 m	8 273	9.45	5 246	9.45										8 995	5 734	10 940	7 018	13 365*	8 897
2 m	8 106	9.47	5 099	9.47										8 818	5 570	10 663	6 764	13 180	8 326
1 m	8 116	9.39	5 076	9.39										8 675	5 438	10 440	6 559	12 864	8 041
0 m	8 316	9.19	5 184	9.19										8 585	5 354	10 288	6 420	12 656	7 854
-1 m	8 745	8.88	5 448	8.88										10 219	6 356	12 558	7 766	16 079	9 804
-2 m	9 489	8.43	5 922	8.43										10 245	6 380	12 568	7 775	16 038	9 833
-3 m	10 629	7.83	6 719	7.83												12 454*	7 889	14 744*	9 969
-4 m	10 382*	7.03	8 097	7.03												10 463*	8 149	12 749*	10 232
-5 m	9 580*	5.96	9 580*	5.96															11 611*
-6 m																			13 895*

SH460HD-5 SHOES : 600 (mm)G ARM LENGTH = 2.53 (m) BOOM : 6.98 (m)
 BUCKET : SAE/PCSA 2.0 (m³) MAXIMUM REACH = 9.48 (m)

Bucket Hook Height	Max. Radius		Radius of Load										Min. Radius						
	Front	Side	10 m	9 m	8 m	7 m	6 m	5 m	4 m	3 m	2 m	Front	Side						
7 m	10 215*	7.89	8 050	7.89										10 701*	10 108			10 921*	6.69
6 m	9 738*	8.71	6 503	8.71										12 355*	6	12 355*	6	12 355*	6
5 m	9 055	9.08	5 864	9.08										25 114*	3.39	25 114*	3.39	25 114*	3.39
4 m	8 482	9.32	5 430	9.32										9 031	5 809	11 069	7 184	12 627*	8 989
3 m	8 131	9.45	5 153	9.45										8 844	5 636	10 764	6 904	13 365*	8 583
2 m	7 965	9.47	5 006	9.47										8 667	5 472	10 487	6 650	12 968	8 192
1 m	7 973	9.39	4 982	9.39										8 524	5 339	10 264	6 446	12 652	7 907
0 m	8 169	9.19	5 088	9.19										8 434	5 256	10 112	6 307	12 445	7 720
-1 m	8 591	8.88	5 348	8.88										10 043	6 243	12 347	7 632	15 814	9 640
-2 m	9 324	8.43	5 815	8.43										10 089	6 267	12 356	7 640	15 847	9 669
-3 m	10 548	7.83	6 602	7.83										12 454*	7 755	14 744*	9 805	17 331*	13 132
-4 m	10 382*	7.03	7 963	7.03										10 463*	8 015	12 749*	10 068	14 999*	13 457
-5 m	9 580*	5.96	9 580*	5.96															11 611*
-6 m																			13 895*

SH480LHD-5 SHOES : 600 (mm)G ARM LENGTH = 3.38 (m) BOOM : 6.98 (m)
 BUCKET : SAE/PCSA 1.8 (m³) MAXIMUM REACH = 10.28 (m)

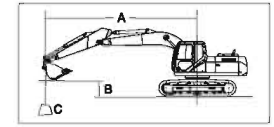
Bucket Hook Height	Max. Radius		Radius of Load										Min. Radius						
	Front	Side	10 m	9 m	8 m	7 m	6 m	5 m	4 m	3 m	2 m	Front	Side						
7 m	8 385*	8.76	6 864	8.76										9 055*	8 242			9 200*	7.6
6 m	6 411*	9.58	5 594	9.58										9 931*	6 389	9 380*	8 043	9 934*	7.11
5 m	6 531*	9.91	5 098	9.91										9 198*	6 226	9 855*	7 776	10 762*	9 860
4 m	6 744*	10.14	4 751	10.14	7 886*	4 891	9 547*	6 025	10 417*	7 470	11 618*	9 400	13 346*	12 127	16 006*	16 006*	20 598*	20 598*	
3 m	7 059*	10.26	4 520	10.26	8 499	4 758	9 921*	5 812	11 000*	7 152	12 490*	8 932	14 658*	11 415	18 062*	15 135	24 108*	21 312	
2 m	7 495*	10.28	4 390	10.28	8 355	4 626	9 985	5 606	11 534*	6 863	13 273*	8 501	15 790*	10 787	19 694*	14 188	17 773*	17 773*	
1 m	7 985	10.2	4 354	10.2	8 230	4 512	9 787	5 428	11 853	6 596	13 874*	8 144	16 800*	10 288	20 680*	13 540	16 807*	16 807*	
0 m	8 116	10.02	4 417	10.02	8 141	4 431	9 633	5 287	11 630	6 398	14 227*	7 879	17 020*	9 963	21 019*	13 164	18 913*	18 905	
-1 m	8 450	9.73	4 592	9.73										9 538	5 201	11 485	6 268	14 229	7 711
-2 m	9 021	9.33	4 912	9.33										9 518	5 183	11 423	6 214	13 998*	7 637
-3 m	9 720*	8.79	5 436	8.79										11 248*	6 244	13 306*	7 657	15 778*	9 734
-4 m	9 726*	8.09	6 288	8.09										9 927*	6 387	12 089*	7 780	14 381*	9 880
-5 m	9 513*	7.18	7 758	7.18												9 950*	6 048	12 216*	10 155
-6 m	8 745*	5.97	8 745*	5.97															10 854*

SH460HD-5 SHOES : 750 (mm)G ARM LENGTH = 3.38 (m) BOOM : 6.98 (m)
 BUCKET : SAE/PCSA 1.8 (m³) MAXIMUM REACH = 10.28 (m)

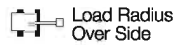
Bucket Hook Height	Max. Radius		Radius of Load										Min. Radius						
	Front	Side	10 m	9 m	8 m	7 m	6 m	5 m	4 m	3 m	2 m	Front	Side						
7 m	8 385*	8.76	6 849	8.76										9 200*	7.6	9 074	7.6		
6 m	6 411*	9.58	5 581	9.58										9 934*	7.11	9 934*	7.11		
5 m	6 531*	9.91	5 085	9.91										11 851*	6.12	11 851*	6.12		
4 m	6 744*	10.14	4 739	10.14	7 678	4 878	9 300	6 011	10 417*	7 453	11 618*	9 380	13 346*	12 104	16 006*	16 006*	20 598*	20 598*	
3 m	7 059*	10.26	4 508	10.26	7 537	4 746	9 070	5 797	11 000*	7 136	12 490*	8 912	14 658*	11 392	18 062*	15 105	24 108*	21 269	
2 m	7 051	10.28	4 378	10.28	7 396	4 614	8 848	5 592	10 752	6 837	13 273*	8 482	15 790*	10 763	19 694*	14 157	17 773*	17 773*	
1 m	7 038	10.2	4 342	10.2	7 274	4 500	8 655	5 412	10 471	6 580	12 967	8 125	16 600*	10 274	20 680*	13 510	16 807*	16 807*	
0 m	7 165	10.02	4 404	10.02	7 187	4 418	8 505	5 273	10 255	6 382	12 673	7 860	16 246	9 939	21 019*	13 133	18 913*	18 883	
-1 m	7 456	9.73	4 579	9.73										8 413	5 187	10 114	6 252	12 486	7 691
-2 m	7 957	9.33	4 898	9.33										8 392	5 168	10 054	6 197	12 404	7 617
-3 m	8 766	8.79	5 421	8.79										10 087	6 228	12 426	7 637	15 778*	9 711
-4 m	9 726*	8.09	6 272	8.09										9 927*	6 371	12 069*	7 761	14 381*	9 856</

Lifting Capacity

- Notes: 1. Ratings are based on SAE J/ISO 10567
 2. Lifting capacity does not exceed 75% of tipping load with the machine on firm, level ground or 87% full hydraulic capacity.
 3. The load point is a hook (not standard equipment) located on the back of the bucket.
 4. *Indicates load limited by hydraulic capacity.
 5. 0m = Ground.



A: Radius of load
 B: Bucket hook height
 C: Lifting capacity



Unit : kg

SH480LHD-5 SHOE : 750 (mm)G ARM LENGTH = 3.38 (m) BOOM : 6.98 (m)
 BUCKET : SAE/PCSA 1.8 (m³) MAXIMUM REACH = 10.28 (m)

Bucket Hook Height	Radius of Load																					
	Max. Radius	10 m	9 m	8 m	7 m	6 m	5 m	4 m	3 m	2 m	Min. Radius											
7 m	8 365*	8.76	6 971	8.76							9 055*	8 362			9 200*	7.6	9 200*	7.6				
6 m	6 411*	9.58	5 690	9.58							8 931*	6 493	9 380*	8 163			9 934*	7.11	9 934*	7.11		
5 m	6 531*	9.91	5 191	9.91							9 198*	6 329	9 855*	7 898	10 762*	10 001			11 851*	6.12	11 851*	6.12
4 m	6 744*	10.14	4 841	10.14	7 886*	4 982	9 547*	6 129	10 417*	7 589	11 618*	9 541	13 346*	12 300	16 006*	16 006*	20 598*	20 598*	22 729*	3.16	22 729*	3.16
3 m	7 059*	10.26	4 609	10.26	8 652	4 850	9 921*	5 915	11 000*	7 272	12 490*	9 073	14 658*	11 588	18 062*	15 357	24 108*	21 622	13 730*	3.54	13 730*	3.54
2 m	7 495*	10.28	4 479	10.28	8 509	4 718	10 162	5 710	11 534*	6 973	13 273*	8 643	15 790*	10 959	19 694*	14 410	17 773*	17 773*	10 492*	3.6	10 492*	3.6
1 m	8 085*	10.2	4 444	10.2	8 384	4 604	9 963	5 530	11 954*	6 716	13 874*	8 286	16 600*	10 471	20 880*	13 762	16 807*	16 807*	12 236*	3.49	12 236*	3.49
0 m	8 270	10.02	4 508	10.02	8 295	4 523	9 810	5 391	11 838	6 518	14 227*	8 021	17 020*	10 136	21 019*	13 385	18 913*	18 913*	14 870*	3.41	14 870*	3.41
-1 m	8 609	9.73	4 687	9.73			9 715	5 305	11 692	6 388	14 283*	7 852	17 033*	9 942	20 801*	13 210	22 501*	19 165	17 378*	3.17	17 378*	3.17
-2 m	9 189	9.33	5 011	9.33			9 694	5 286	11 630	6 333	13 998*	7 778	16 631*	9 870	20 093*	13 182	24 679*	19 252	19 490*	2.78	19 490*	2.78
-3 m	9 721*	8.79	5 542	8.79					11 248*	6 364	13 306*	7 798	15 778*	9 907	18 892*	13 275	22 889*	19 457	24 560*	2.18	24 560*	2.18
-4 m	9 726*	8.09	6 406	8.09					9 927*	6 507	12 069*	7 922	14 381*	10 052	17 119*	13 482	20 488*	19 785	24 772*	1.69	24 772*	1.69
-5 m	9 513*	7.18	7 894	7.18							9 950*	8 189	12 216*	10 328	14 584*	13 823	17 266*	17 266*	23 182*	2.3	23 182*	2.3
-6 m	8 745*	5.97	8 745*	5.97											10 854*	10 854*	12 824*	12 824*	13 511*	3.64	13 511*	3.64

SH500LHD-5 SHOE : 600 (mm)G ARM LENGTH = 2.53 (m) BOOM : 6.98 (m)
 BUCKET : SAE/PCSA 2.0 (m³) MAXIMUM REACH = 9.48 (m)

Bucket Hook Height	Radius of Load																					
	Max. Radius	10 m	9 m	8 m	7 m	6 m	5 m	4 m	3 m	2 m	Min. Radius											
7 m	10 169*	8.05	8 579	8.05															11 048*	6.62	11 048*	6.62
6 m	9 767*	8.77	7 144	8.77															10 433*	5.83	12 768*	5.83
5 m	9 979*	9.12	6 501	9.12															10 052*	6 871	10 836*	8 274
4 m	9 987	9.35	6 069	9.35															10 297*	6 509	11 311*	7 984
3 m	9 633	9.46	5 800	9.46															10 477	6 334	11 775*	7 713
2 m	9 489	9.47	5 670	9.47															10 300	6 172	12 154*	7 463
1 m	9 547	9.36	5 674	9.36															10 161	6 044	12 227	7 265
0 m	9 827	9.15	5 821	9.15															10 078	5 969	12 083	7 135
-1 m	10 383	8.82	6 143	8.82															12 025	7 083	14 152*	8 642
-2 m	10 655*	8.35	6 706	8.35															11 373*	7 123	13 461*	8 666
-3 m	10 611*	7.72	7 648	7.72																	12 222*	8 800
-4 m	10 310*	6.89	9 296	6.89																	12 362*	11 405
-5 m	9 363*	5.77	9 363	5.77																	10 957*	10 957*
-6 m																						

SH480LHD-5 SHOE : 750 (mm)G ARM LENGTH = 2.53 (m) BOOM : 6.98 (m)
 BUCKET : SAE/PCSA 2.0 (m³) MAXIMUM REACH = 9.48 (m)

Bucket Hook Height	Radius of Load																					
	Max. Radius	10 m	9 m	8 m	7 m	6 m	5 m	4 m	3 m	2 m	Min. Radius											
7 m	10 215*	7.89	8 303	7.89															10 921*	6.69	10 921*	6.69
6 m	9 738*	8.71	6 728	8.71															12 355*	6	12 355*	6
5 m	9 977*	9.08	6 078	9.08															25 114*	3.39	25 114*	3.39
4 m	9 873	9.32	5 638	9.32															23 464*	4.01	21 647	4.01
3 m	9 488	9.45	5 357	9.45															17 647*	4.31	17 647*	4.31
2 m	9 314	9.47	5 210	9.47															14 891*	4.36	14 891*	4.36
1 m	9 339	9.39	5 188	9.39															18 177*	4.26	17 256	4.26
0 m	9 578	9.19	5 299	9.19															21 497*	4.12	18 260	4.12
-1 m	10 078	8.88	5 568	8.88															24 354*	3.83	20 979	3.83
-2 m	10 649*	8.43	6 050	8.43															24 078*	3.37	24 078*	3.37
-3 m	10 829*	7.83	6 858	7.83															23 240*	2.68	23 240*	2.68
-4 m	10 382*	7.03	8 257	7.03															19 917*	2.64	19 917*	2.64
-5 m	9 580*	5.96	9 580*	5.96															13 895*	3.58	13 895*	3.58
-6 m																						

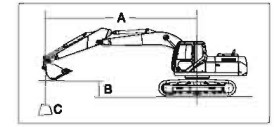
SH500LHD-5 SHOE : 750 (mm)G ARM LENGTH = 3.38 (m) BOOM : 6.98 (m)
 BUCKET : SAE/PCSA 1.8 (m³) MAXIMUM REACH = 10.28 (m)

Bucket Hook Height	Radius of Load																					
	Max. Radius	10 m	9 m	8 m	7 m	6 m	5 m	4 m	3 m	2 m	Min. Radius											
7 m	8 011*	8.92	7 336	8.92																	9 272*	7.55
6 m	6 423*	9.64	6 169	9.64															8 964*	7 094	9 444*	8 863
5 m	6 557*	9.96	5 670	9.96															9 247*	6 921	9 936*	6 585
4 m	6 784*	10.16	5 324	10.16	8 136*	5 499	9 603*	6 716	10 505*	8 272	11 752*	10 359	13 549*	13 322	16 329*	16 329*	21 170*	21 170*	10 505*	8 272	11 752*	
3 m	7 116*	10.27	5 100	10.27	8 953	5 364	9 976*	6 500	11 085*	7 952	12 616*	9 888	14 845*	12 607	18 344*	16 718	24 545*	23 670	10 886*	10 829	12 225*	
2 m	7 573*	10.27	4 983	10.27	8 811	5 233	10 312*	6 296	11 606*	7 655	13 377*	9 482	15 935*	11 987	19 887*	15 796	17 291*	17 291*	10 505*	8 272	11 752*	
1 m	8 190*	10.18	4 968	10.18	8 690	5 122	10 307	6 119	12 003*	7 403	13 945*	9 113	16 689*	11 514	20 771*	15 181	16 990*	16 990*	10 886*	10 829	12 225*	
0 m	8 632	9.98	5 061	9.98															10 161	5 986	12 217*	7 213
-1 m	9 016	9.68	5 281	9.68															10 077	5 909	12 111	7 093
-2 m	9 641	9.26	5 665	9.26															10 069	5 902	11 857*	7 060
-3 m	9 730*	8.69	6 288	8.69															11 098*	7 095	13 922*	8 643
-4 m	9 712*	7.97	7 303	7.97																	13 922*	8 643
-5 m	9 447*	7.02	9 082	7.02																	11 820*	8 821
-6 m	8 528*	5.75	8 528*	5.75																	9 501*	9 123

SH500LHD-5 SHOE : 600 (mm)G ARM LENGTH = 3.38 (m) BOOM : 6.98 (m)
 B

Lifting Capacity

- Notes: 1. Ratings are based on SAE J/ISO 10567
 2. Lifting capacity does not exceed 75% of tipping load with the machine on firm, level ground or 87% full hydraulic capacity.
 3. The load point is a hook (not standard equipment) located on the back of the bucket.
 4. *Indicates load limited by hydraulic capacity.
 5. 0m = Ground.



A: Radius of load
 B: Bucket hook height
 C: Lifting capacity



Unit : kg

SH480LHD-5 MASS

SHOE : 600 (mm)G ARM LENGTH = 2.53 (m) BOOM : 6.55 (m)
 BUCKET : SAE/PCSA 3.0 (m³) MAXIMUM REACH = 9.15 (m)

Bucket Hook Height	Max. Radius		Radius of Load										Min. Radius		
	10 m	9 m	10 m	9 m	8 m	7 m	6 m	5 m	4 m	3 m	2 m	10 m	9 m		
7 m	10 577*	6.96	9 939	6.96								10 845*	6.53	10 845*	6.53
6 m	10 199*	8.06	7 254	8.06								11 943*	6.02	11 943*	6.02
5 m	8 268*	8.73	5 987	8.73								10 529*	7 178	11 531*	9 251
4 m	8 596*	8.98	5 496	8.98								10 943*	6 934	12 251*	8 852
3 m	9 091*	9.12	5 186	9.12								14 154*	11 540	17 123*	15 606
2 m	9 305	9.14	5 025	9.14								16 208*	10 354	20 241*	13 734
1 m	9 339	9.05	5 006	9.05								16 750*	9 947	20 812*	13 218
0 m	9 615	8.85	5 135	8.85								16 852*	9 691	20 705*	12 954
-1 m	10 192	8.52	5 445	8.52								16 485*	9 573	20 017*	12 873
-2 m	10 573*	8.05	6 004	8.05								13 011*	7 480	15 601*	9 579
-3 m	10 473*	7.42	6 963	7.42								11 559*	7 608	14 078*	9 711
-4 m	10 052*	6.58	8 885	6.58								11 592*	10 000	14 095*	13 461
-5 m	8 790*	5.41	8 790*	5.41								9 802*	9 802*		
-6 m												11 745*	4	11 745*	4

SH500LHD-5 MASS

SHOE : 600 (mm)G ARM LENGTH = 2.53 (m) BOOM : 6.55 (m)
 BUCKET : SAE/PCSA 3.0 (m³) MAXIMUM REACH = 9.15 (m)

Bucket Hook Height	Max. Radius		Radius of Load										Min. Radius		
	10 m	9 m	10 m	9 m	8 m	7 m	6 m	5 m	4 m	3 m	2 m	10 m	9 m		
7 m	10 501*	7.16	10 239	7.16								10 940*	6.48	10 940*	6.48
6 m	10 161*	8.18	7 705	8.18								12 244*	5.89	12 244*	5.89
5 m	8 308*	8.78	6 536	8.78								10 586*	7 871	11 635*	10 081
4 m	8 659*	9.01	6 051	9.01								10 586*	7 871	11 635*	10 081
3 m	9 182*	9.13	5 753	9.13								13 153*	13 153*	15 455*	15 455*
2 m	9 662	9.13	5 612	9.13								13 657*	8 899	16 316*	11 387
1 m	9 736	9.03	5 623	9.03								13 657*	8 899	16 316*	11 387
0 m	10 065	8.81	5 797	8.81								14 005*	8 614	16 795*	10 997
-1 m	10 543*	8.46	6 173	8.46								14 005*	8 614	16 795*	10 997
-2 m	10 570*	7.97	6 838	7.97								14 411*	8 424	16 828*	10 759
-3 m	10 437*	7.31	7 974	7.31								14 411*	8 424	16 828*	10 759
-4 m	9 937*	6.43	9 937*	6.43								14 411*	8 424	16 828*	10 759
-5 m	8 442*	5.2	8 442*	5.2								14 411*	8 424	16 828*	10 759
-6 m												14 411*	8 424	16 828*	10 759

SH480LHD-5 MASS

SHOE : 750 (mm)G ARM LENGTH = 2.53 (m) BOOM : 6.55 (m)
 BUCKET : SAE/PCSA 3.0 (m³) MAXIMUM REACH = 9.15 (m)

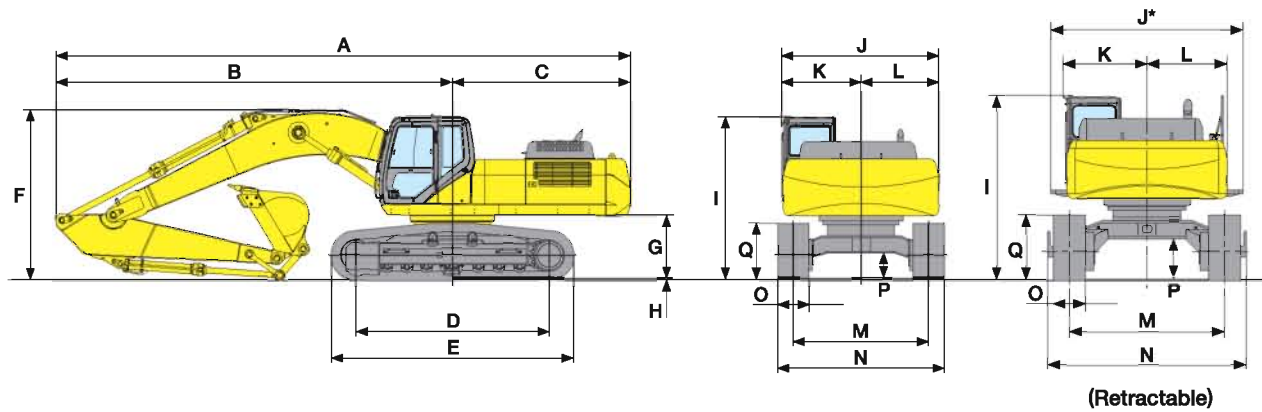
Bucket Hook Height	Max. Radius		Radius of Load										Min. Radius	
	10 m	9 m	10 m	9 m	8 m	7 m	6 m	5 m	4 m	3 m	2 m	10 m	9 m	
7 m	10 577*	6.96	10 082	6.96								10 845*	6.53	
6 m	10 199*	8.06	7 373	8.06								11 943*	6.02	
5 m	8 268*	8.73	6 094	8.73								10 529*	7 297	
4 m	8 596*	8.98	5 600	8.98								10 943*	7 054	
3 m	9 091*	9.12	5 288	9.12								14 154*	11 540	
2 m	9 478	9.14	5 127	9.14								16 208*	10 354	
1 m	9 514	9.05	5 109	9.05								16 750*	9 947	
0 m	9 796	8.85	5 241	8.85								16 852*	9 691	
-1 m	10 382	8.52	5 556	8.52								16 485*	9 573	
-2 m	10 573*	8.05	6 123	8.05								13 011*	7 480	
-3 m	10 473*	7.42	7 094	7.42								11 559*	7 608	
-4 m	10 052*	6.58	8 839	6.58								11 592*	10 000	
-5 m	8 790*	5.41	8 790*	5.41								9 802*	9 802*	
-6 m												11 745*	4	

SH500LHD-5 MASS

SHOE : 750 (mm)G ARM LENGTH = 2.53 (m) BOOM : 6.55 (m)
 BUCKET : SAE/PCSA 3.0 (m³) MAXIMUM REACH = 9.15 (m)

Bucket Hook Height	Max. Radius		Radius of Load										Min. Radius	
	10 m	9 m	10 m	9 m	8 m	7 m	6 m	5 m	4 m	3 m	2 m	10 m	9 m	
7 m	10 501*	7.16	10 383	7.16								10 940*	6.48	
6 m	10 161*	8.18	7 826	8.18								12 244*	5.89	
5 m	8 308*	8.78	6 646	8.78								10 586*	7 996	
4 m	8 659*	9.01	6 159	9.01								10 586*	7 996	
3 m	9 182*	9.13	5 859	9.13								13 153*	13 153*	
2 m	9 662	9.13	5 718	9.13								13 657*	8 899	
1 m	9 909	9.03	5 730	9.03								13 657*	8 899	
0 m	10 244	8.81	5 908	8.81								14 005*	8 614	
-1 m	10 543*	8.46	6 290	8.46								14 005*	8 614	
-2 m	10 570*	7.97	6 963	7.97								14 411*	8 424	
-3 m	10 437*	7.31	8 114	7.31								14 411*	8 424	
-4 m	9 937*	6.43	9 937*	6.43								14 411*	8 424	
-5 m	8 442*	5.2	8 442*	5.2								14 411*	8 424	
-6 m												14 411*	8 424	

Dimensions



Model	SH460HD-5		SH480LHD-5		SH500LHD-5	
Arm length	2.53 m	3.38 m	2.53 m	3.38 m	2.53 m	3.38 m
A Overall length	12 060 mm	12 010 mm	12 060 mm	12 010 mm	12 040 mm	11 980 mm
B Length from center of machine (to arm top)	8 390 mm	8 340 mm	8 390 mm	8 340 mm	8 370 mm	8 310 mm
C Upper structure rear end radius			3 680 mm			
D Center to center of wheels	4 050 mm				4 400 mm	
E Overall track length	5 100 mm				5 450 mm	
F Overall height	3 640 mm	3 600 mm	3 640 mm	3 600 mm	3 710 mm	3 660 mm
G Clearance height under upper structure	1 330 mm				1 480 mm	
H Shoe lug height			36 mm			
I Cab height	3 290 mm				3 440 mm	
J Upper structure overall width (with side guard)	3 060 mm (3 130 mm)				3 590* mm	
K Width from center of machine (left side)			1 570 mm			
L Width from center of machine (right side)			1 490 mm			
M Track gauge (Retract)	2 750 mm				2 890 mm (2 390 mm)	
N Overall width (Retract)	3 350 mm				3 700 mm (3 200 mm)	
O Std. Shoe width			600 mm			
P Minimum ground clearance	540 mm				740 mm	
Q Overall track height	1 240 mm				1 220 mm	

*with catwalks-option

Model	SH480LHD-5 MASS	SH500LHD-5 MASS
Arm length		2.53 m
A Overall length	11 640 mm	11 610 mm
B Length from center of machine (to arm top)	7 970 mm	7 940 mm
C Upper structure rear end radius		3 680 mm
D Center to center of wheels		4 400 mm
E Overall track length		5 450 mm
F Overall height		3 810 mm
G Clearance height under upper structure	1 330 mm	1 480 mm
H Shoe lug height		36 mm
I Cab height	3 290 mm	3 440 mm
J Upper structure overall width (with side guard)	3 060 mm (3 130)	3 590* mm
K Width from center of machine (left side)		1 570 mm
L Width from center of machine (right side)		1 490 mm
M Track gauge (Retract)	2 750 mm	2 890 mm (2 390 mm)
N Overall width (Retract)	3 350 mm	3 700 mm (3 200 mm)
O Std. Shoe width		600 mm
P Minimum ground clearance		540 mm
Q Overall track height	1 240 mm	1 220 mm

*with catwalks-option

Working Range

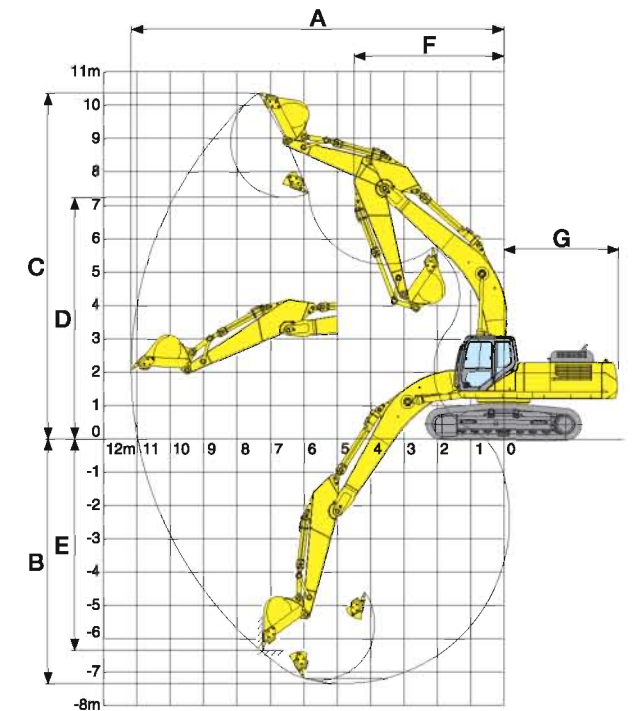
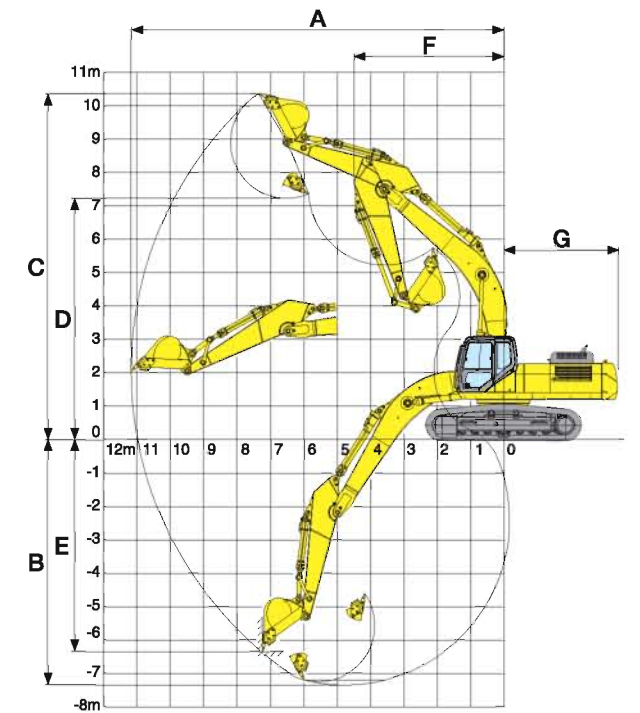
	SH460HD-5	
Arm length	2.53 m	3.38 m
Boom length	6.98 m	
A Max digging radius	11 230 mm	12 000 mm
B Max digging depth	6 870 mm	7 720 mm
C Max digging height	10 820 mm	11 140 mm
D Max dumping height	7 420 mm	7 740 mm
E Max vertical wall cut depth	5 670 mm	6 570 mm
F Min. front swing radius	5 140 mm	4 990 mm
G Rear end swing radius	3 680 mm	

	SH480LHD-5	
Arm length	2.53 m	3.38 m
Boom length	6.98 m	
A Max digging radius	11 230 mm	12 000 mm
B Max digging depth	6 870 mm	7 720 mm
C Max digging height	10 820 mm	11 140 mm
D Max dumping height	7 420 mm	7 740 mm
E Max vertical wall cut depth	5 670 mm	6 570 mm
F Min. front swing radius	5 140 mm	4 990 mm
G Rear end swing radius	3 680 mm	

	SH500LHD-5	
Arm length	2.53 m	3.38 m
Boom length	6.98 m	
A Max digging radius	11 230 mm	12 000 mm
B Max digging depth	6 720 mm	7 570 mm
C Max digging height	10 970 mm	11 290 mm
D Max dumping height	7 570 mm	7 890 mm
E Max vertical wall cut depth	5 520 mm	6 420 mm
F Min. front swing radius	5 140 mm	4 990 mm
G Rear end swing radius	3 680 mm	

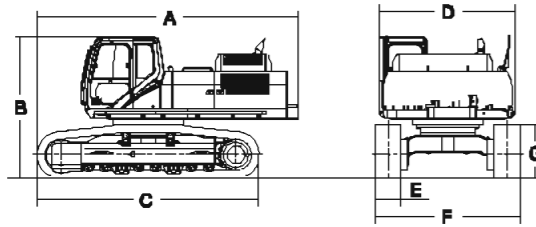
	SH480LHD-5 MASS	
Arm length	2.53 m	
Boom length	6.55 m	
A Max digging radius	10 810 mm	
B Max digging depth	6 490 mm	
C Max digging height	10 520 mm	
D Max dumping height	7 180 mm	
E Max vertical wall cut depth	4 920 mm	
F Min. front swing radius	4 800 mm	
G Rear end swing radius	3 680 mm	

	SH500LHD-5 MASS	
Arm length	2.53 m	
Boom length	6.55 m	
A Max digging radius	10 810 mm	
B Max digging depth	6 340 mm	
C Max digging height	10 670 mm	
D Max dumping height	7 340 mm	
E Max vertical wall cut depth	4 770 mm	
F Min. front swing radius	4 800 mm	
G Rear end swing radius	3 680 mm	

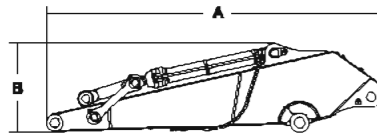


Transportation

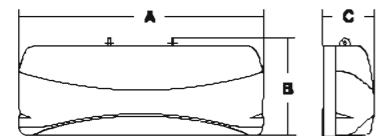
● Basic Machine (without counter weight)



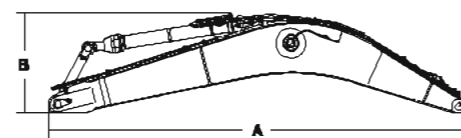
● Arm



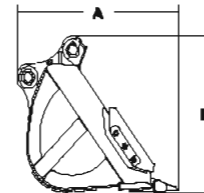
● Counter weight



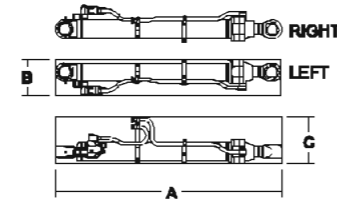
● Boom



● Bucket



● Boom cylinder



Basic Machine (without counter weight)

Model	SH460HD/SH480LHD/SH500LHD-5		
Weight	28 300 kg	27 100 kg	28 600 kg
A	6 025 mm	6 205 mm	
B	3 290 mm		3 440 mm
C	5 100 mm	5 450 mm	
D (with side gard)	3 060 mm (3 130 mm)		
E	600 mm		
F	3 350 mm	2 890 mm Retract/without lower step	
G	1 240 mm	1 220 mm	

Bucket

Model	SH460HD/SH480LHD/SH500LHD-5	MASS
Bucket capacity (ISO/SAE/PCSA heaped) unit:m ³	1.8 m ³	2.0 m ³
Bucket capacity CECE heaped unit:m ³	1.6 m ³	1.8 m ³
Bucket type	HD	
No. of tooth	5	
Width unit:mm	1 508	1 638
With side cutter	1 400	1 530
Without side cutter	1 830	1 930
Weight:unit kg	2 530	2 830
2.53 m arm	●	●
3.38 m arm	○	○

- : Standard bucket (Suitable for materials with density up to 1,800kg/m³ or less)
- : Suitable for materials with density up to 2,000kg/m³ or less
- : Suitable for materials with density up to 1,800kg/m³ or less
- △ : Suitable for materials with density up to 1,200kg/m³ or less

Boom

Model	SH460HD/SH480LHD/SH500LHD-5	
	6.98 m Boom	6.55 m Boom
A Length	7.28 m	6.84 m
B Height	1 740 mm	1 810 mm
Width	860 mm	870 mm
Weight	4 520 kg	4 670 kg

Arm

Model	SH460HD/SH480LHD/SH500LHD-5	
	2.53 m Arm	3.38 m Arm
A Length	3 820 mm	
B Height	1 130 mm	
Width	610 mm	
Weight	2 420 kg	2 610 kg

Counter Weight

Model	SH460HD/SH480LHD/SH500LHD-5	
A Length	2 890 mm	
B Height	1 230 mm	
C Width	740 mm	
Weight	9 200 kg	

Boom cylinder

Model	SH460HD/SH480LHD/SH500LHD-5	
A Length	2 440 mm	
B Height	500 mm	
C Width	400 mm	
Weight	500 kg	

Principle Specifications

	SH460HD-5	SH480LHD-5 [SH500LHD-5]	SH480LHD-5 MASS	SH500LHD-5 MASS	
Base	Boom length	6.98 m (HD type)		6.55 m (HD type)	
	Arm length	3.38 m (HD type)		2.53 m (HD type)	
	Bucket capacity (ISO heaped)	1.8 m ³ (HD type)		3.0 m ³ (HD type)	
	Std. operating weight	45,900 kg	46,700 kg [48,100 kg]	47,200 kg	48,600 kg
Engine	Make & model	ISUZU AH-6UZ1XYSS			
	Rated output	270 kW/1 950 min ⁻¹			
Hydraulic System	Displacement	9 838 ml(cc)			
	Main pump	2 variable displacement axial piston pumps with regulating system			
	Max pressure	31.4 Mpa			
	With auto power boost	34.3 MPa			
	Travel motor	Variable displacement axial piston motor			
	Parking brake type	Mechanical disc brake			
	Swing motor	Fixed displacement axial piston motor			
	Travel speed	5.3/3.1 km/h			
	Drawbar pull	341 kN			
	Grade ability	70% <35°>			
Performance	Ground pressure	85 kPa	80 kPa [82kPa]	81 kPa	83 kPa
	Swing speed	9.0 min ⁻¹			
	Bucket digging force	247 kN			
	With power boost	270 kN			
	Arm digging force	209 kN			
With power boost	229 kN				
Others	Fuel tank	650 liter			
	Hydraulic fluid tank	230 liter			

Standard equipment

[Hydraulic system]

- SIH-S hydraulic system
- Operation mode (SP, H and A mode)
- Auto/one-touch idling
- Automatic 2-speed travel
- Automatic power boost
- Arm/boom/bucket reactivation circuit
- Automatic swing parking system
- High-performance return filter

[Cab/interior equipment]

- Tilting console
- Open air introducing pressurized full-automatic air conditioner
- Defroster
- Hot & cool box
- Water-repelling operator's seat
- Seat suspension
- Rise-up wiper (with intermittent operation function)
- Cup holder
- AM/FM radio (with muting function)
- Clock
- Magazine rack
- Accessory case
- Floor mat
- Armrest & headrest
- Ashtray & cigar lighter
- Room light (Auto-OFF function)
- Coat hook

[Safety equipment]

- Rearview mirror (left/right)
- Emergency escape tool
- Winding seat belt
- Gate lock lever
- Travel alarm (with on and off switch)
- Anti-theft alarm system
- Engine room firewall
- Fan guard
- Engine emergency stop switch

[Others]

- EMS
- Long-life hydraulic oil
- Two lights (main unit and left of arm)
- Fuel filter (with water separator)
- Fuel prefilter (with water separator)
- Double-element air cleaner
- Grease-enclosed track link
- Bucket rattling control mechanism
- Large tool box
- A set of tools

Accessories (option)

■ Cab-top light



■ Rain reflector



■ Front guard (FOPS level 1)



■ Head guard (FOPS level 2)



■ 12V power (DC-DC converter)



■ Polycarbonate with sunshade roof top window



■ Air suspension (KAB seat)



■ Full track guard

■ Re-fuel Pump

■ Pre-cleaner

■ Hose burst check valve (for arm/boom cylinder)

■ Lower window guard