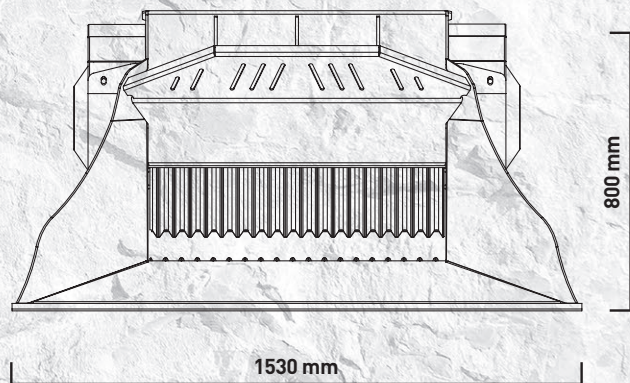
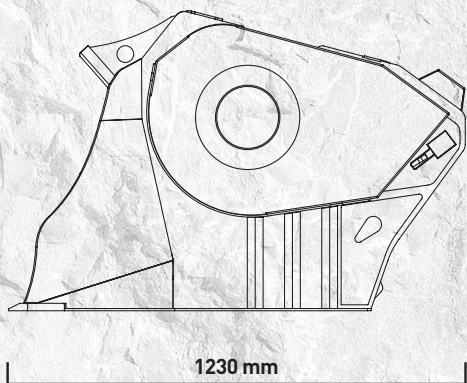


# MB-L140 S2



# “Compact with performance”



Small, compact and easy to handle, despite its small size this machine offers the highest standards of productivity and quality.

The MB-L140 S2 crusher bucket is suitable for skid loaders starting from 3 Ton and backhoes between 6 to 8 Ton.

This bucket is the perfect combination of versatility, performance, and practicality.



## AREAS OF APPLICATION

DEMOLITION  
RECYCLING  
ROAD WORKS  
EXCAVATION

## SPECIFICATIONS

EQUIPMENT	LOAD CAPACITY	OPENING DIMENSIONS	OUTPUT SETTING	DIMENSIONS
SKID LOADER $\geq 3$ Ton BACKHOE LOADER / LOADER $\geq 6 \leq 8$ Ton	0,25 m <sup>3</sup>	L 740 H 250 mm	$\geq 15 \leq 60$ mm	1230 x 1530 H 800 mm
OIL FLOW	PRESSURE	COUNTER PRESSURE	WEIGHT	MAXIMUM PRODUCTION
98 l/min.	200 bar	20 bar	0,98 Ton	16 m <sup>3</sup> /h

## ACCESSORIES

RECOMMENDED SPARE PARTS KIT	FIX COUPLER	QUICK FEMALE COUPLER	IRON SEPARATOR	HOUR METER
MBL140015	-	-	-	804MBNF01
			DUST SUPPRESSION KIT	24 MONTHS WARRANTY
			KNMB00L-KNMB00S-KNMB00M	WA241401