

**EVERDIGM** Attachment

**Shear**



**Tools that make people move**

Hydraulic Shear Series  
Turning your job into more value!

Features and benefits

Produced with increased power and durability by state of the art technology, everdigm shear has been designed for cutting work

A large diameter rotation bearing utilizes 2 rows of ball bearings giving maximum durability

Top cover makes cylinder and speed up valve maintenance easier

Guide slide, puck system reduces Jaw stress and helps to eliminate jamming

Main blade can be turned 2 times

Offset jaw apex for optimum shear power

Use of Hardox 400 material makes it durable

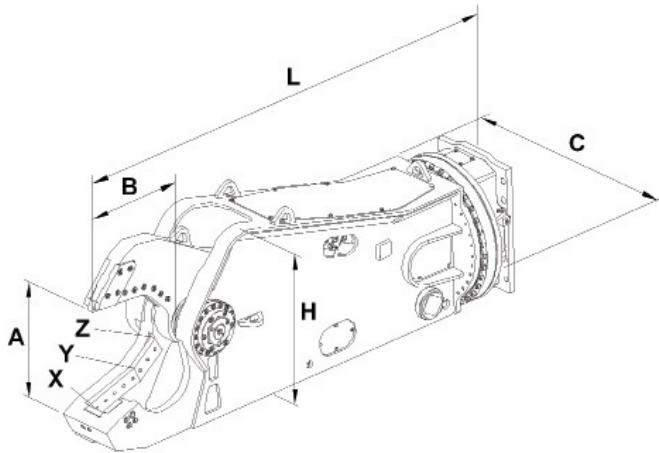
Bolt-on special material wearing tip

The large bore hydraulic cylinder combined with our exclusive speed / regeneration valve provides Superior cutting force and cycle time

Twin motor with relief valve for motor protection

Single greasing point for main pin & cylinder pin

Blade clearance adjuster for easy & simple maintenance, and it keeps the working performance optimally



Specifications

Item	Unit	ESS45	
Operating Weight	kg	4,586	
Overall Length (L)	mm	3,424	
Overall Height (H)	mm	1,289	
Overall Width (C)	mm	987	
Max. Jaw Opening (A)	mm	706	
Max. Jaw Depth (B)	mm	626	
Max. Force at...	tonnes		
point X (Outer Tip)		160	
point Y		311	
point Z		626	
Oil Flow	lpm	280 ~ 360	
Max. Operating Pressure	bar	350	
Jaw Cycle Time (at Q <sub>normal</sub> )		(at 320 lpm)	
Opening	sec	6	
Closing	sec	4.5	
1 Cycle	sec	10.5	
Max. Oil Flow for Rotation	lpm	24	
Max. Pressure for Rotation	bar	100	
Max. Rotation Speed	rpm	14	
Rotating Angle		360° continuous	
Applicable Carrier Weight	2nd	tonnes	28
	3rd	tonnes	36 - 47

※ Specifications contained in the catalogue may be changed without prior notice for improvement of quality and performance.

ESSE20100401\_07 01.Apr.2010  
VOL.01

Head Office & Factory

332-3, Janggwan-ri, Jincheon-eub, Chungcheongbuk-do, Korea  
Tel\_+82-43-530-3300 Fax\_+82-43-530-3429

Sales & Marketing

Room #1203, Woolim Lion's Valley 2, 680, Gasan-Dong, Geumcheon-Gu, Seoul, Korea  
Tel\_+82-2-801-0800 Fax\_+82-2-801-0899



©EVERDIGM Corp. Printed in Korea