



YANMAR

CRAWLER CARRIER

C12R-c

[Gross] 7.7kW <10.4hp>



* The machine in the picture is equipped with optional parts.

A compact carrier perfect for narrow worksites. Brimming with outstanding power, this little carrier is capable of loading 990 kg.

This unit has a slim, compact and sturdy body which can be used roughly.

The compact carrier can enter into narrow spaces and shows outstanding loading capacity at various worksites. It can be used to transport materials like earth, sand, blocks, garden stones, and potted plants in civil engineering, construction, and landscaping projects.

Easy to unload typically equipped with a hydraulic dump bed

Despite appearances, has a large load capacity of 990 kg dump bed with a thickness of 4.5 mm at the bottom

Automatic transmission lever to reverse or move forward

Center operation seat where the operator can work comfortably and have good visibility

Strong multi-purpose guard R-type rear frame

A full opening bonnet for easy maintenance

Side dump type that allow the operator to dump materials on both right and left sides (optional)





Sturdy structure with excellent durability

YANMAR

12R

YANMAR

Sturdy 3.2 mm thick flap brace

One pedal to operate the carrier as if it is a passenger vehicle

A 4.5 mm thick truck frame

Bearings with solid oil used in the bottom rollers

* Pictures shown are for illustration purpose only. * The images shown here are for promotional purposes.

* The image may differ from the actual model on sale. * When you leave the operator's seat, be sure to lower the dump bed and place the lock levers in the lock position.

A compact carrier with a classic design. This little machine is up for any challenge.

A town carrier which is easy-to-use and full of power.

In addition to the excellent transport facilities and easy access to narrow spaces, improved durability, easy maintenance, and environment performance contribute to increasing efficiency and comfort in operations any narrow place.

● Can easily access narrow work-sites Slim & compact design

The machine can easily access narrow spaces with its 950 mm slim body. This compact machine also has enhanced turning capabilities in narrow spaces with its 2570 mm height and R-type rear frame.



● Rugged Loading Platform

Floor plate thickness: 4.5 mm
Gate post thickness: 3.2 mm

It's sturdy structure is another feature that makes this machine very durable.



● Equipped with 3 hooks to hang ropes when loading it into a truck

The vehicle frame can be firmly fixed in place using 4 hooks provided in the track frame when loading it onto a truck. While safely transporting the machine, this also protects the truck frame from shock caused by vibrations during.



● Equipped with 3 suspension hooks for lifting operations

This machine is equipped with suspension hooks for lifting materials using the 3-point suspension method.





● Comes equipped with foldable ROPS* bar and seatbelt

These features on the YANMAR C12R-C reduce risk and improve safety for operators when they operate the machine on slopes, soft terrains, and other potentially hazardous worksites.



● Foldable ROPS* bar

The ROPS bar can be folded by removing a pin, allowing the vehicle to access areas with height restrictions.

* Do not fold the ROPS bar while the machine is in operation.



● Forward / Reverse Lever

Use the lever to move backwards or forwards, and to operate the machine safely and accurately.



● Equipped with an eco-friendly and silent engine

Equipped with a diesel engine which has a water-cooled 4-cycle mechanism compliant with the strict regulations (Europe), the machine has powerful operation performance and low-noise levels of Class No. 1.

* Based on YANMAR's measurement method.



● Travel pedal (Right side)

Run by using the pedal at the operator's feet.



Engine model
402J-05 IG84557R

Engine output
7.7kW

* Picture of engine shown for illustration purpose only.

* The machine may differ to the model on sale. * The machine in the photo is for catalog purposes.

* When you leave the operator's seat, be sure to lower the dump bed and place the lock levers in the lock position.

* ROPS: Roll-Over Protective Structure (A structure to protect the operator wearing a seat belt, in case the machine rolls over)

- **Has a dump bed for the easy transport of materials**

The perfect long-shaped dump bed makes it easy to transport long materials.



- **Equipped with an easy-to-unload hydraulic dump bed**

Easy to operate as the dump bed can be easily raised or lowered with hydraulics.



- **Open around the operator's seat**

The maintenance of the engine, wiring, and hydraulic parts is easy as the cover in front of the operator's seat can be fully opened.



- **Operators have good visibility and can easily use the console from the center operation seat**

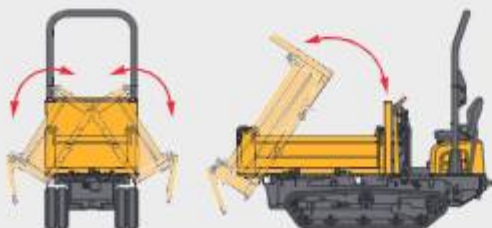
The operator drives the carrier from the center of the vehicle frame, giving the operator an unobstructed view on all sides. Further, the operator can easily get in or out of the carrier from either side with the walk-through type semi-flat deck, making it very comfortable.



Other optional features to meet your needs

- **Side dump bed type in which the carrier can dump materials on either sides (option)**

The machine works satisfactorily in narrow spaces and even with inexperienced operators at the wheel as it is possible to dump materials in three directions by switching the position of the pin. This further reduces the unnecessary operation of the machine, and prevents the early wear of the crawler.



* The images shown here are for promotional purposes. * The image may differ from the actual model on sale.

* When you leave the operator's seat, be sure to lower the dump bed and place the lock levers in the lock position.

The Unsung Heroes Who Build Our Towns And Cities

You build the infrastructure and the foundations in our towns and cities.

Transforming the places where we stand today, into dreams of tomorrow.

You are the unsung hero.

The YANMAR mission is to provide machines and services that allow you to reach your full potential.

Built tough and with comfort in mind.

YANMAR construction equipment will help you get the job done with ease, regardless of the worksite.

When we make machines, we are dedicated to enabling you to perform at your best all of the time.

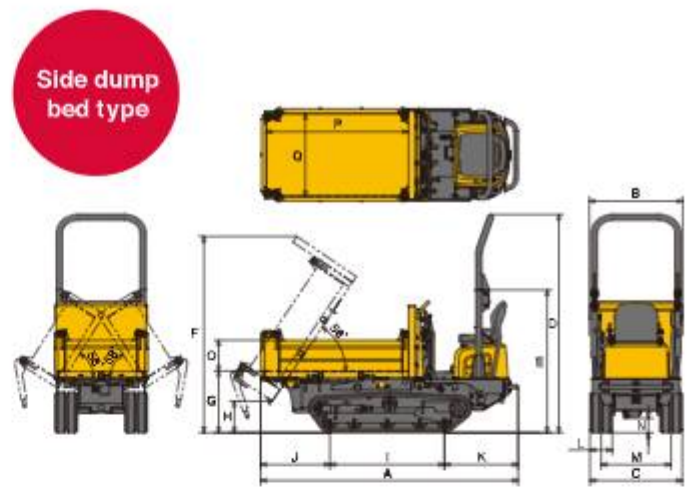
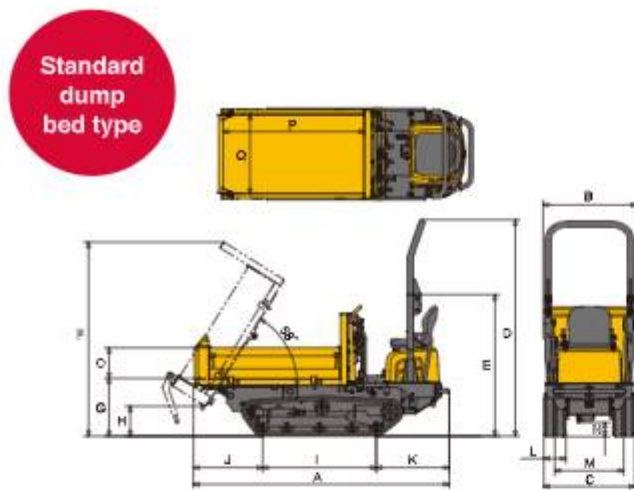
One example of this is our innovative True Zero Tail Swing Excavators that set the standard for safety and reliability, enabling operators to perform at their best in tight quarters. Yanmar was also the first to make compact diesel engines, and today we continue to make diesel engines ranging from

YANMAR also manufactured the first compact diesel engines
and today we continue to make diesel engines ranging from 4 to 4,800 kW.

Equipped with advanced engines and hydraulic systems, our construction equipment delivers better fuel economy, increased productivity and enhanced operation.

YANMAR is the driving force behind the unsung hero.

BEST PERFORMANCE BY YOUR SIDE



(Unit:mm<ft-in>)

	A	B	C	D	E	F	G	H	I	J	K	L	M	N	O	P	Q
Standard type	2650 <8'8">	950 <3'1">	950 <3'1">	2250 <7'5">	1470 <4'10">	2015 <6'7">	600 <1'11">	310 <1'0">	1180 <3'10">	710 <2'4">	760 <2'6">	230 <9">	720 <2'4">	150 <6">	320 <1'1">	1470 <4'10">	830 <2'8">
Side dump type	2650 <8'8">	960 <3'2">	950 <3'1">	2250 <7'5">	1470 <4'10">	2025 <6'8">	635 <2'1">	325 <1'1">	1180 <3'10">	710 <2'4">	760 <2'6">	230 <9">	720 <2'4">	150 <6">	315 <1'0">	1470 <4'10">	860 <2'10">

Specifications

Model		C12R-C	
Carrier Type		Standard dump bed type	Side dump bed type
Operating Weight	Net, Unloaded	kg <lbs>	1010 <2227> / 1100 <2426>
Engine	Type	Vertical 2 cylinder, water-cooled diesel	
	Model	402J-05 IG84557R	
	Rated Output/ Revs	kW<hp>/rpm 7.7 <10.4> / 2800	
Transmission		Hydrostatic & Reduction gear	
Under Carriage	Crawler Width	mm <in> 230 <9.06>	
	Min. Ground Clearance	mm <in> 150 <5.91>	
	Ground Contact Pressure	w/o load	kPa <PSI>
w/ load		kPa <PSI>	39.0 <5.66> / 40.7 <5.89>
Brake	Service Brake	Type	Mechanical wet multiple disk
		Operation	Pedal, mechanical
	Parking Brake	Type	Common with service brake
		Operation	Lever, pedal lock
Performance	Max. Payload	kg <lbs>	1150 <2540>
	Dumping Angle	Rear	degrees 58
		Side	degrees — / 58
	Dump Clearance at Rear Dump	mm <in>	310 <1'> / 325 <1'1">
	Dump bed Capacity	Struck	m ³ <cu.ft.>
Heaped		m ³ <cu.ft.>	0.52 <18.4>
Travel Speed	Forward	km/h <MPH>	0 - 5.5 <0 - 3.4>
	Reverse	km/h <MPH>	0 - 5.5 <0 - 3.4>
Hydraulic System For Dump	Pump	Gear	
	Control Valve	Single spool	
Fuel tank capacity		L <Gals>	14.5 <3.83>

YANMAR CONSTRUCTION EQUIPMENT CO., LTD.

Promotion Group
 Sales Planning Dept.
 Marketing & Sales Dept.
 1717-1, Oaza Kumano, Chikugo, Fukuoka 833-0055, Japan
 TEL. +81-942-70-8992
 FAX +81-942-53-6855
 yanmar.com

All data subject to change without notice.