



D 250 AHG
D 250 AHGA
D 350 AHG
D 400 AHG



www.ausa.com

AUSA Center, S.L. ● Ctra. de Vic, Km 2.8 - P.O.B. 194. 08243 Manresa - BARCELONA (ESPAÑA) Tel.: +34 93 874 73 11 - E-mail: ausa@ausa.com

ISO 9001

ISO 14001



(Sede central AUSA-Manresa)

AUSA Madrid ● Pol. Ind. Coslada - C. Marconi 15-17. 28823 Coslada - MADRID (ESPAÑA) Tel.: +34 91 669 00 06 - E-mail: ausa.madrid@ausa.com

AUSA France ● Z. I. Saint Charles - Rue de Zürich, 66000 PERPIGNAN (FRANCE) Tel.: +33 (0) 4 68 54 38 97 - E-mail: ausa.france@ausa.com

AUSA Deutschland ● Heinrich - Welken Str. 5. 59069 HAMM (GERMANY) Tel.: +49 (0) 2384-9889905 - E-mail: ausa.deutschland@ausa.com

BEIJING Rep. Office ● Address Room 527. HengXiang Building, Tuanjehu Nanti, Chaoyang District. - BEIJING 100026 (CHINA)

Tel.: 86-10-8597 1983 - Fax: 86-10-8597 1993 - E-mail: ausa.china@ausa.com

AUSA UK ● Tel.: 07970639988 - E-mail: ausa.uk@ausa.com

AUSA Brasil ● Tel.: +55 51 33622111 - E-mail: ausa.brasil@ausa.com

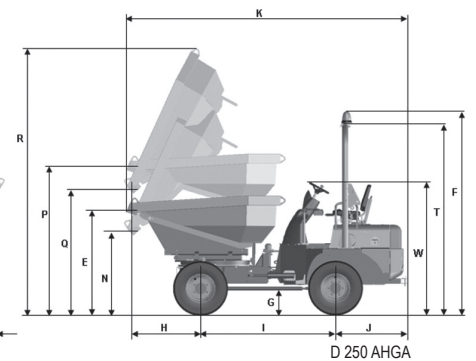
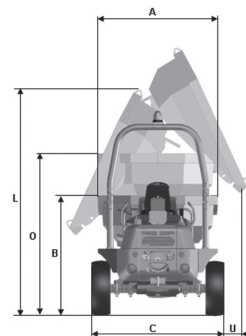
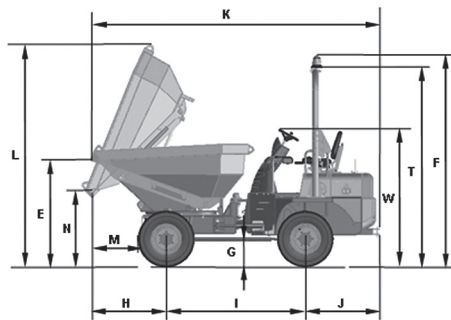
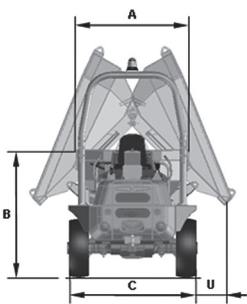
AUSA México ● Calzada Vallejo, 725. 07750 Del. Gustavo A. Madero, México D.F. (MÉXICO) Tel.: +55 2166-9066 - E-mail: ausa.mexico@ausa.com



D 250 AHG _2500 Kg
D 250 AHGA _2500 Kg
D 350 AHG _3500 Kg
D 400 AHG _2500 Kg

AUSA
www.ausa.com

DIMENSIONS (mm)	D 250 AHG	D 250 AHGA	D 350 AHG	D 400 AHG
A	1503	1695	1852	1866
B	1694	1700	1740	1838
C	1755	1875	1858	1858
E	1500	1540	1506	1590
F	2915	2924	2956	2956
G	347	363	395	395
H	1050	980	1024	1200
I	1920	1920	1932	1950
J	1025	995	1025	1007
K	3975	4000	4120	4353
L	3070	3230	3105	3150
M	660	590	590	766
N	1050	1250	1035	860
T	2705	2705	2770	2770
U	364	250	327	502
W	1909	1909	1940	1940
O	-	2300	-	-
P	-	2140	-	-
Q	-	1850	-	-
R	-	3830	-	-



TECHNICAL SPECIFICATIONS

	D 250 AHG	D 250 AHGA	D 350 AHG	D 400 AHG
Load capacity (Kg)	2500		3500	4000
Unloading system	Hydraulic, 180° rotating	Hydraulic tipping	Hydraulic, 180° rotating	
Chassis	Articulated and oscillating			
Hopper capacities (l)	Water Levelled Heaped	818 1200 1910	817 1246 2063	1050 1726 2737
Engine	Diesel Power acc./SAE J 1995 (KW/HP) N° of Cylinders Cooling system	Kubota V2403M 36.5 / 49.6 4 Water		
Traction	4 x 4 permanent			
Transmission	2-speed hydrostatic. Front-reverse direction electro-hydraulic operated. Axles with planetary reduction on differential output			
Engine starting system	Electric			
Speed (max.) (km/h)	20		21	
Unladen weight (Kg)	2650	2960	2780	2830
Gradient negotiable (with full load)	70 %		54%	49%
Hydraulic circuit	Gear pump of 12 cc. Working pressure 180 bar			
Tyres	Front Rear	10,0/75-15.3 10,0/75-15.3	11.5/80-15.3 (14 PR) 11.5/80-15.3 (14 PR)	
External turning circle	4225	4330	4680	4720
Steering	Hydraulic Working pressure 110 bar			
Tank capacity (l)	Fuel Hydraulic fluid	44 40		
Service brake	Oil-immersed, multidisc, hydraulically operated			
Parking brake	Oil-immersed, multidisc, mechanically operated			
STANDARD EQUIPMENT	Foldable ROPS arch Anti vandal system Ergonomic seat with safety belt Rotating beacon Audible reverse warning			
OPTIONAL EQUIPMENT	Lighting equipment Towing hitch Electronic antitheft protection system			