

**D 100 AHA**  
**D 120 AHA**

**D 100 AHG**  
**D 120 AHG**  
**D 150 AHG**



[www.ausa.com](http://www.ausa.com)

**AUSA Center, S.L.** ● Ctra. de Vic, Km 2.8 - P.O.B. 194. 08243 Manresa - BARCELONA (ESPAÑA) Tel.: +34 93 874 73 11 - E-mail: [ausa@ausa.com](mailto:ausa@ausa.com)

ISO 9001      ISO 14001



(Sede central AUSA-Manresa)

**AUSA Madrid** ● Pol. Ind. Coslada - C. Marconi 15-17. 28823 Coslada - MADRID (ESPAÑA) Tel.: +34 91 669 00 06 - E-mail: [ausa.madrid@ausa.com](mailto:ausa.madrid@ausa.com)  
**AUSA France** ● Z. I. Saint Charles - Rue de Zürich, 66000 PERPIGNAN (FRANCE) Tel.: +33 (0) 4 68 54 38 97 - E-mail: [ausa.france@ausa.com](mailto:ausa.france@ausa.com)  
**AUSA Deutschland** ● Heinrich - Welken Str. 5. 59069 HAMM (GERMANY) Tel.: +49 (0) 2384-9889905 - E-mail: [ausa.deutschland@ausa.com](mailto:ausa.deutschland@ausa.com)  
**BEIJING Rep. Office** ● Address Room 527. HengXiang Building, Tuanjiehu Nanli, Chaoyang District. - BEIJING 100026 (CHINA)  
 Tel.: 86-10-8597 1983 - Fax: 86-10-8597 1993 - E-mail: [ausa.china@ausa.com](mailto:ausa.china@ausa.com)

**AUSA UK** ● Tel.: 07970639988 - E-mail: [ausa.uk@ausa.com](mailto:ausa.uk@ausa.com)

**AUSA Brasil** ● Tel.: +55 51 33622111 - E-mail: [ausa.brasil@ausa.com](mailto:ausa.brasil@ausa.com)

**AUSA México** ● Calzada Vallejo, 725. 07750 Del. Gustavo A. Madero, México D.F. (MÉXICO) Tel.: +55 2166-9066 - E-mail: [ausa.mexico@ausa.com](mailto:ausa.mexico@ausa.com)



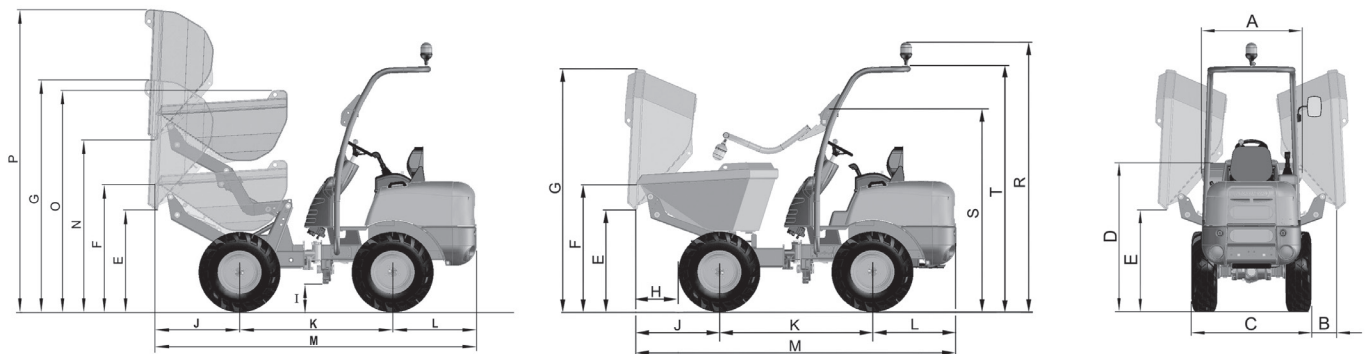
**D 100 AHA\_1000 Kg**  
**D 120 AHA\_1200 Kg**  
**D 100 AHG\_1000 Kg**  
**D 120 AHG\_1200 Kg**  
**D 150 AHG\_1500 Kg**

DIMENSIONS (mm)	D 100 AHA	D 120 AHA	D 100 AHG	D 120 AHG	D 150 AHG
A	990	1190	990	1190	1391
B	-	-	293 (393)	245	100
C	1100 (1180, 1030, 990)	1200	1100 (1030)	1200	1450
D	1440	1485	1436	1470	1500
E	935	980	983	1020	1030
F	1230	1275	1227	1275	1275
G	2235	2280	2367	2430	2525
H	485	440	457	435	435
I	220	265	231	265	275
J	822	822	804	804	820
K	1500	1500	1500	1500	1600
L	820	820	820	820	820
M	3142	3142	3124	3124	3240
N	1635	1680	-	-	-
O	2135	2180	-	-	-
P	2935	2980	-	-	-
R	2605	2650	2636	2650	2600
S	1955	2000	1971	2000	2015
T	2375	2420	2400	2420	2450

\* with optional tyres



www.ausa.com



**TECHNICAL SPECIFICATIONS**

	D 100 AHA / D 120 AHA	D 100 AHG / D 120 AHG	D 150 AHG	
<b>Load capacity (Kg)</b>	1000 / 1200	1000 / 1200	1500	
<b>Unloading system</b>	Hydraulic tipping	Hydraulic, 180° rotating	Hydraulic, 180° rotating	
<b>Chassis</b>		Articulated +/- 35° and oscillating +/- 13°		
<b>Hopper capacities (l)</b>	Water Levelled Heaped	345 / 425 395 / 515 505 / 680	325 / 415 390 / 495 505 / 670	520 626 835
<b>Engine</b>	Diesel Power acc./SAE J 1995 (KW/CV) N° of Cylinders Cooling system	Kubota D1105 16,8 KW / 22,8 CV (2700 rpm) 3 Water		
<b>Traction</b>		4 x 4 permanent		
<b>Transmission</b>		Hydrostatic with variable flow pump automatic regulation. Forward and reverse control on the joystick.		
<b>Engine starting system</b>		Electric		
<b>Speed (max.) (Km/h)</b>	15 / 17	15 / 17	14	
<b>Axles</b>		Axles with planetary wheel reduction		
<b>Unladen weight (Kg)</b>	1300 / 1375	1270 / 1375	1510	
<b>Gradeability</b>	38% / 48%	38% / 48%	40%	
<b>Hydraulic circuit</b>		Gear pump of 8 cc.		
<b>Tyres</b>	Standard Optional	Pression de travail 170 bar. / 210 bar. 27x8.50-15" / 10.0/75-15.3" 11.0 / 65 - 12; 7.00-12; 6.5/80 (D 100 AHA)	Working pressure 170 bar. 27 x 8.50 - 15" / 10.0/75-15.3" 7.00-12 (D 100 AHG)	Working pressure 210 bar. 10.0/75-15.3" -
<b>External turning radius (mm)</b>		3060		
<b>Steering</b>		Hydraulic		
<b>Tank capacity (l)</b>	Fuel Hydraulic fluid	23 21.2		
<b>Service and parking brake</b>		Sealed oil-immersed, multidisc, mechanically operated		
<b>STANDARD EQUIPMENT</b>		Anti vandal system Ergonomic with safety belt Joystick ROPS Rotating beacon Rear view mirror Audible reverse warning (Std. UK)		
<b>OPTIONAL EQUIPMENT</b>		Great confort seat FOPS overhead guard Homologated lighting equipment Metal engine canopy Towing hitch		