



C 11 M



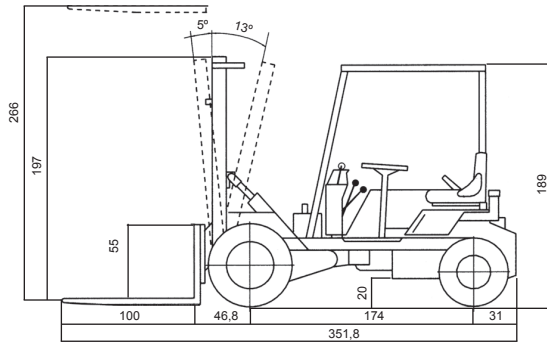
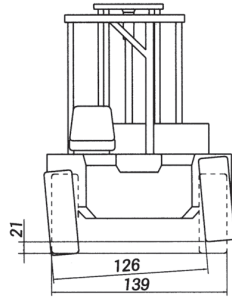
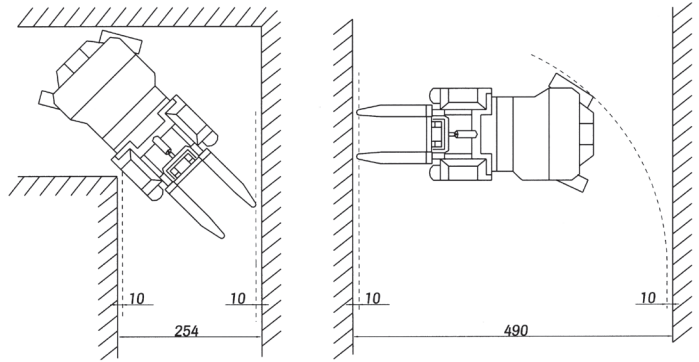
C 11 M_ 1200 Kg



www.ausa.com

MAST CHART

Type	Maximum lifting height (mm)	Free lift (mm)	Mast height retracted (mm)	Max. height (mm)	Load (Kg)
Duplex (st)	2660	70	1980	3290	1200
Duplex Free lift	2500	1270	1890	3130	1200
Duplex	3300	70	2300	3930	1200



TECHNICAL SPECIFICATIONS

		C 11 M
Load capacity (kg) @ centre of gravity		1200 @ 500 mm / 1050 @ 600 mm
Lifting height (Standard duplex mast) (mm)		2660
Engine	Diesel	KUBOTA D902
	Power acc. (KW/HP)	12.1 / 16.44
	N° of cylinders	3
	Cooling system	Water
Traction		4 x 2
Transmission		Mechanical, with semi-synchronised gearbox, with 4 forward gears and 4 reverse.
Engine starting system		Electric
Speed (Maximum) (Km/h)		20
Unladen weight (Kg) (with full tanks)		2050
Gradeability		37%
Hydraulic circuit		14.6 cc gear pump. Working pressure 150 bar.
Tyres	Front	7.00-12 (12 PR)
	Rear	6.00-9 (10 PR)
External turning radius (mm)		3250
Steering		Hydraulic with priority valve. Working pressure 100 bar.
Tank capacity (l)	Fuel	25
	Hydraulic fluid	15
Service brake		Hydraulic, drum-type, on front axle
Parking brake		Mechanical on front axle
Forkcarriage		FEM 2 - Width: 1260 mm
STANDARD EQUIPMENT		Ergonomic seat with seat belt Protective roof (ISO 6055). Rear view mirror. Rotating beacon. Audible reverse warning Side-shift: 1260 mm (width).
OPTIONAL EQUIPMENT		Homologated lighting equipment. Load backrest: 1250 mm. Hydraulic buckets: 300 l / 400 l.
Tyres	Front	27x10-12 (14 PR) - (Big Foot)
	Rear	21x8-9 (16 PR)

MKT21003.05 / 01.2015

AUSA reserves the right to make any changes in the specifications without prior notice.